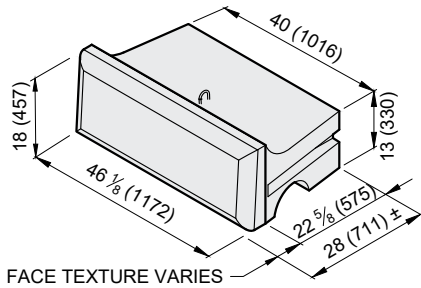


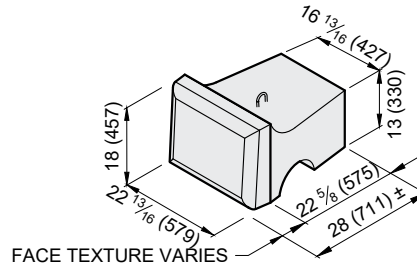
RETAINING BLOCKS

Block Library

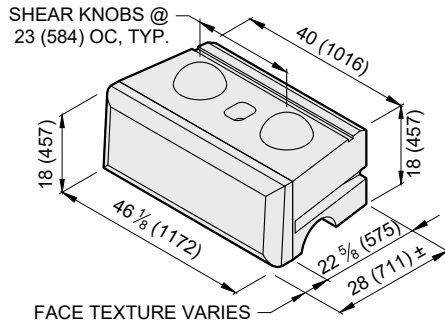
R-28T 28" (710mm) TOP		
Face Texture:	Cobble / Limestone	Kingstone / Ledgestone
Block Weight:	1230 lb (557 kg)	1160 lb (530 kg)
Block Volume:	8.57 ft ³ (0.243 m ³)	8.07 ft ³ (0.229 m ³)
Center of Gravity:	14.9" (378mm)	14.2" (362mm)



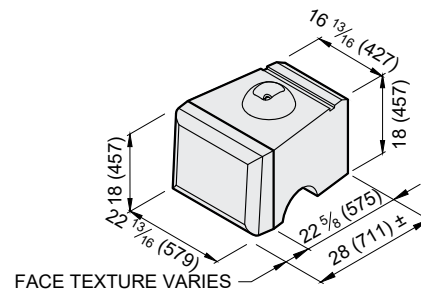
R-28HT 28" (710mm) HALF TOP		
Face Texture:	Cobble / Limestone	Kingstone / Ledgestone
Block Weight:	570 lb (260 kg)	540 lb (240 kg)
Block Volume:	4.01 ft ³ (0.113 m ³)	3.76 ft ³ (0.106 m ³)
Center of Gravity:	15.3" (389 mm)	14.7" (373 mm)



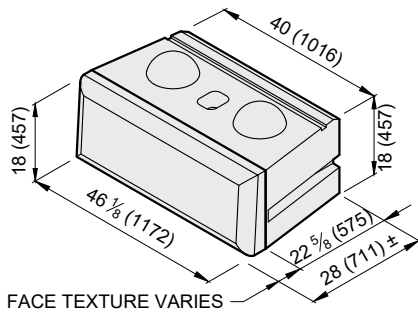
R-28M 28" (710mm) MIDDLE		
Face Texture:	Cobble / Limestone	Kingstone / Ledgestone
Block Weight:	1610 lb (730 kg)	1540 lb (700 kg)
Block Volume:	11.28 ft ³ (0.319 m ³)	10.78 ft ³ (0.305 m ³)
Center of Gravity:	13.9" (354 mm)	13.4" (340 mm)



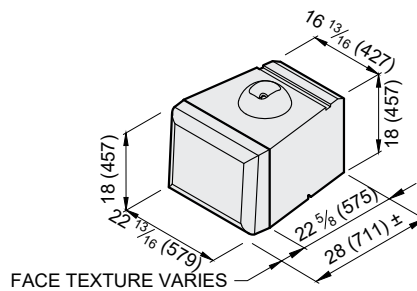
R-28HM 28" (710mm) HALF MIDDLE		
Face Texture:	Cobble / Limestone	Kingstone / Ledgestone
Block Weight:	750 lb (340 kg)	710 lb (320 kg)
Block Volume:	5.23 ft ³ (0.148 m ³)	4.98 ft ³ (0.141 m ³)
Center of Gravity:	14.3" (364 mm)	13.8" (350 mm)



R-28B 28" (710mm) BOTTOM		
Face Texture:	Cobble / Limestone	Kingstone / Ledgestone
Block Weight:	1740 lb (790 kg)	1670 lb (760 kg)
Block Volume:	12.19 ft ³ (0.345 m ³)	11.70 ft ³ (0.331 m ³)
Center of Gravity:	14.0" (355 mm)	13.5" (343 mm)



R-28HB 28" (710mm) HALF BOTTOM		
Face Texture:	Cobble / Limestone	Kingstone / Ledgestone
Block Weight:	810 lb (370 kg)	770 lb (350 kg)
Block Volume:	5.66 ft ³ (0.160 m ³)	5.41 ft ³ (0.153 m ³)
Center of Gravity:	14.3" (364 mm)	13.8" (352 mm)



1. Units for dimensions are inches (mm), typical unless noted otherwise.
2. Block production varies with each licensed Redi-Rock manufacturer. Confirm availability before Specifying or Ordering.
3. Center of Gravity is measured from the back of block.
4. Actual block volumes and weights may vary.

5. Weights are based upon a concrete density of 143 lb/ft³ (2291kg/m³).
6. Half blocks contain a fork slot on only one side of the block.
7. Interface Shear knobs are typically 10" (254mm) diameter by 4" (102mm) tall. Smaller knob diameters are available.

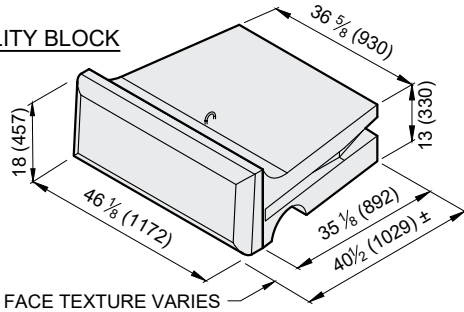
RETAINING BLOCKS

Block Library

R-41T 41" (1030mm) TOP *

Face Texture:	Cobble / Limestone	Kingstone / Ledgestone
Block Weight:	1750 lb (790 kg)	1680 lb (760 kg)
Block Volume:	12.22 ft ³ (0.346 m ³)	11.73 ft ³ (0.332 m ³)
Center of Gravity:	21.3" (540 mm)	20.6" (522 mm)

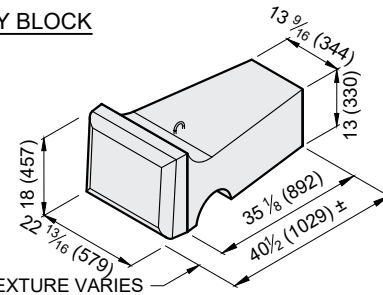
SPECIALITY BLOCK



R-41HT 41" (1030mm) HALF TOP *

Face Texture:	Cobble / Limestone	Kingstone / Ledgestone
Block Weight:	770 lb (350 kg)	740 lb (330 kg)
Block Volume:	5.38 ft ³ (0.15 m ³)	5.14 ft ³ (0.15 m ³)
Center of Gravity:	22.4" (568 mm)	21.6" (550 mm)

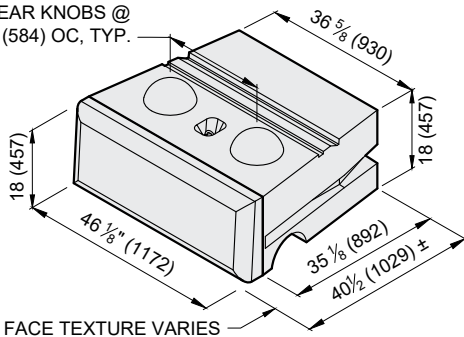
SPECIALITY BLOCK



R-41M 41" (1030mm) MIDDLE

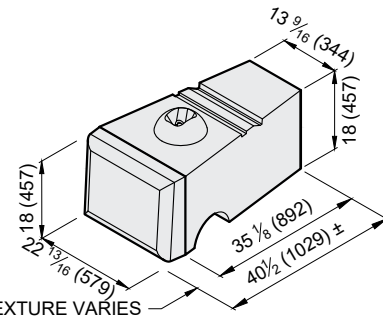
Face Texture:	Cobble / Limestone	Kingstone / Ledgestone
Block Weight:	2310 lb (1050 kg)	2240 lb (1020 kg)
Block Volume:	16.14 ft ³ (0.457 m ³)	15.65 ft ³ (0.443 m ³)
Center of Gravity:	20.4" (518 mm)	19.8" (504 mm)

SHEAR KNOBS @
23 (584) OC, TYP.



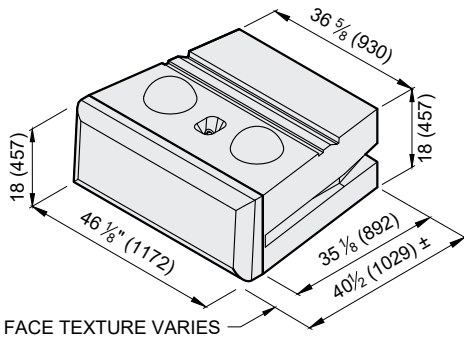
R-41HM 41" (1030mm) HALF MIDDLE

Face Texture:	Cobble / Limestone	Kingstone / Ledgestone
Block Weight:	1020 lb (460 kg)	990 lb (450 kg)
Block Volume:	7.14 ft ³ (0.20 m ³)	6.90 ft ³ (0.20 m ³)
Center of Gravity:	21.4" (543 mm)	20.8" (528 mm)



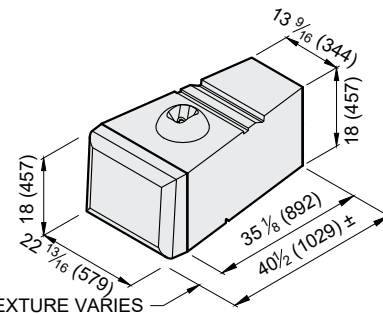
R-41B 41" (1030mm) BOTTOM

Face Texture:	Cobble / Limestone	Kingstone / Ledgestone
Block Weight:	2440 lb (1110 kg)	2370 lb (1070 kg)
Block Volume:	17.06 ft ³ (0.483 m ³)	16.56 ft ³ (0.469 m ³)
Center of Gravity:	20.7" (527 mm)	20.2" (514 mm)



R-41HB 41" (1030mm) HALF BOTTOM

Face Texture:	Cobble / Limestone	Kingstone / Ledgestone
Block Weight:	1080 lb (490 kg)	1050 lb (480 kg)
Block Volume:	7.58 ft ³ (0.21 m ³)	7.33 ft ³ (0.21 m ³)
Center of Gravity:	21.7" (551 mm)	21.2" (538 mm)



1. Units for dimensions are inches (mm), typical unless noted otherwise.
2. Block production varies with each licensed Redi-Rock manufacturer. Confirm availability before Specifying or Ordering.
3. Center of Gravity is measured from the back of block.
4. Actual block volumes and weights may vary.

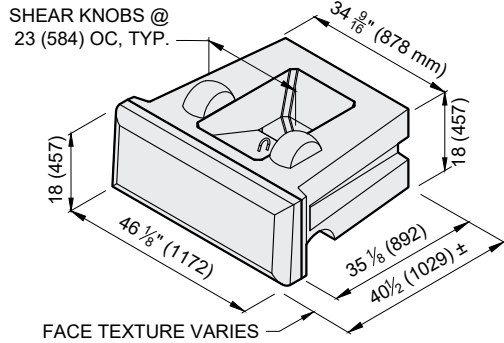
5. Weights are based upon a concrete density of 143 lb/ft³ (2291kg/m³).
6. Half blocks contain a fork slot on only one side of the block.
7. Interface Shear knobs are typically 10" (254mm) diameter by 4" (102mm) tall. Smaller knob diameters are available.
8. * 41" (1030mm) Top blocks are not typical and used in limited applications.

RETAINING BLOCKS

Block Library

R-41HC 41" (1030mm) HOLLOW-CORE

Face Texture:	Cobble / Limestone	Kingstone / Ledgestone
Block Weight:	1,690 lb (780 kg)	1,620 lb (735 kg)
Block Volume:	11.83 ft ³ (0.33 m ³)	11.33 ft ³ (0.32 m ³)
Center of Gravity:	22.0" (558 mm)	21.3" (540 mm)
Infill Volume	6.53 ft ³ (0.18 m ³)	



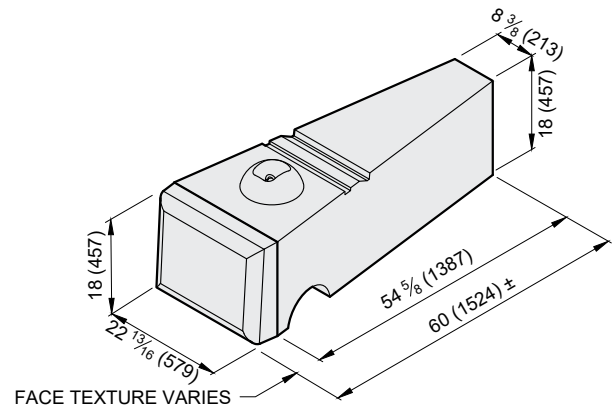
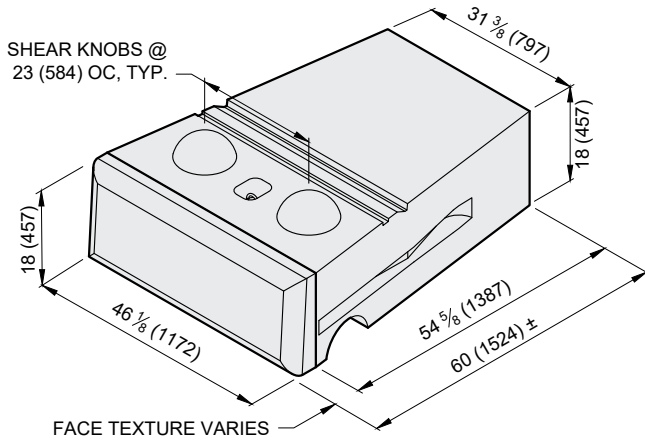
1. Units for dimensions are inches (mm), typical unless noted otherwise.
2. Block production varies with each licensed Redi-Rock manufacturer. Confirm availability before Specifying or Ordering.
3. Center of Gravity is measured from the back of block.
4. Actual block volumes and weights may vary.

5. Weights are based upon a concrete density of 143 lb/ft³ (2291kg/m³).
6. Half blocks contain a fork slot on only one side of the block.
7. Interface Shear knobs are typically 10" (254mm) diameter by 4" (102mm) tall. Smaller knob diameters are available.

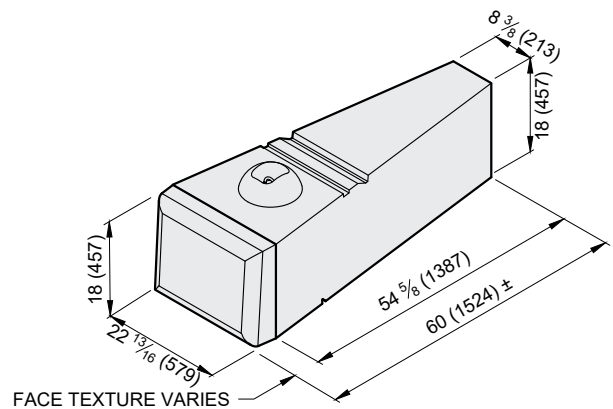
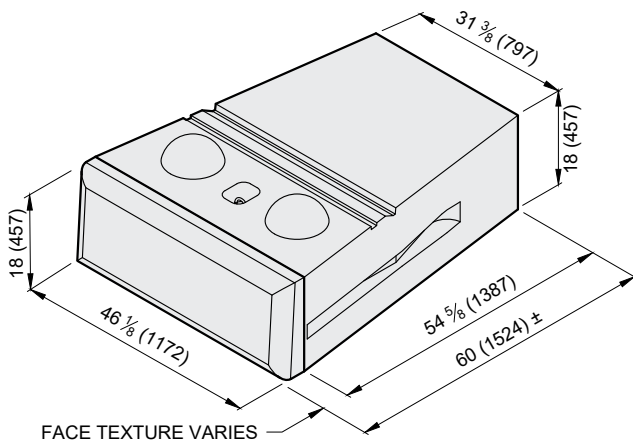
RETAINING BLOCKS

Block Library

R-60M 60" (1520mm) MIDDLE			R-60HM 60" (1520mm) HALF MIDDLE		
Face Texture:	Cobble / Limestone	Kingstone / Ledgestone	Face Texture:	Cobble / Limestone	Kingstone / Ledgestone
Block Weight:	3290 lb (1490 kg)	3220 lb (1460 kg)	Block Weight:	1340 lb (610 kg)	1300 lb (590 kg)
Block Volume:	23.00 ft ³ (0.651 m ³)	22.49 ft ³ (0.637 m ³)	Block Volume:	9.34 ft ³ (0.264 m ³)	9.09 ft ³ (0.258 m ³)
Center of Gravity:	31.0" (786 mm)	30.4" (772 mm)	Center of Gravity:	33.7" (856 mm)	33.1" (840 mm)



R-60B 60" (1520mm) BOTTOM			R-60HB 60" (1520mm) HALF BOTTOM		
Face Texture:	Cobble / Limestone	Kingstone / Ledgestone	Face Texture:	Cobble / Limestone	Kingstone / Ledgestone
Block Weight:	3420 lb (1550 kg)	3350 lb (1520 kg)	Block Weight:	1400 lb (630 kg)	1360 lb (620 kg)
Block Volume:	23.90 ft ³ (0.677 m ³)	23.40 ft ³ (0.663 m ³)	Block Volume:	9.77 ft ³ (0.277 m ³)	9.52 ft ³ (0.270 m ³)
Center of Gravity:	31.6" (802 mm)	31.0" (788 mm)	Center of Gravity:	34.3" (871 mm)	33.7" (856 mm)



1. Units for dimensions are inches (mm), typical unless noted otherwise.
2. Block production varies with each licensed Redi-Rock manufacturer. Confirm availability before Specifying or Ordering.
3. Center of Gravity is measured from the back of block.
4. Actual block volumes and weights may vary.

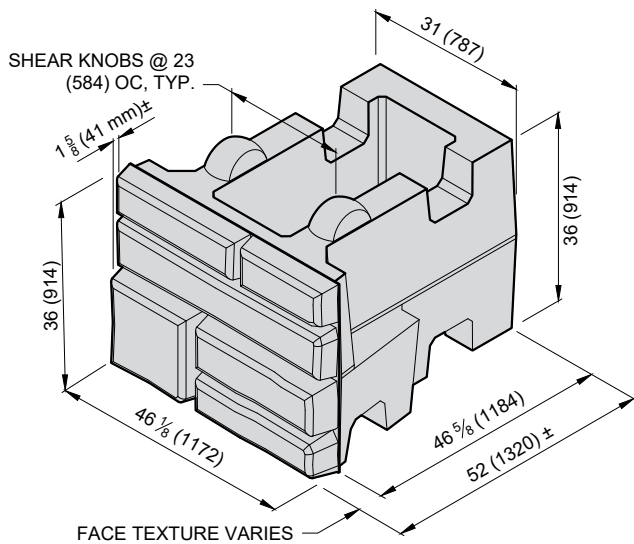
5. Weights are based upon a concrete density of 143 lb/ft³ (2291kg/m³).
6. 60" (1520 mm) are typically used at the bottom of taller walls.
7. Half blocks contain a fork slot on only one side of the block.
8. Interface Shear knobs are typically 10" (254mm) diameter by 4" (102mm) tall. Smaller knob diameters are available.

RETAINING BLOCKS

Block Library

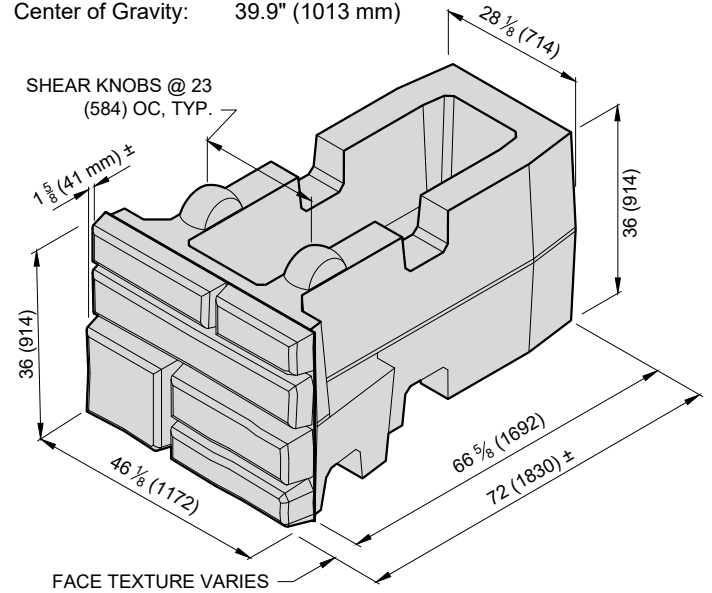
R-5236HC 52" (1320 mm) XL Hollow-Core

Face Texture:	Ledgestone
Block Weight:	3330 lb (1510 kg)
Block Volume:	23.29 ft ³ (0.660 m ³)
Infill Volume:	22.88 ft ³ (0.648 m ³)
Center of Gravity:	29.0" (737 mm)



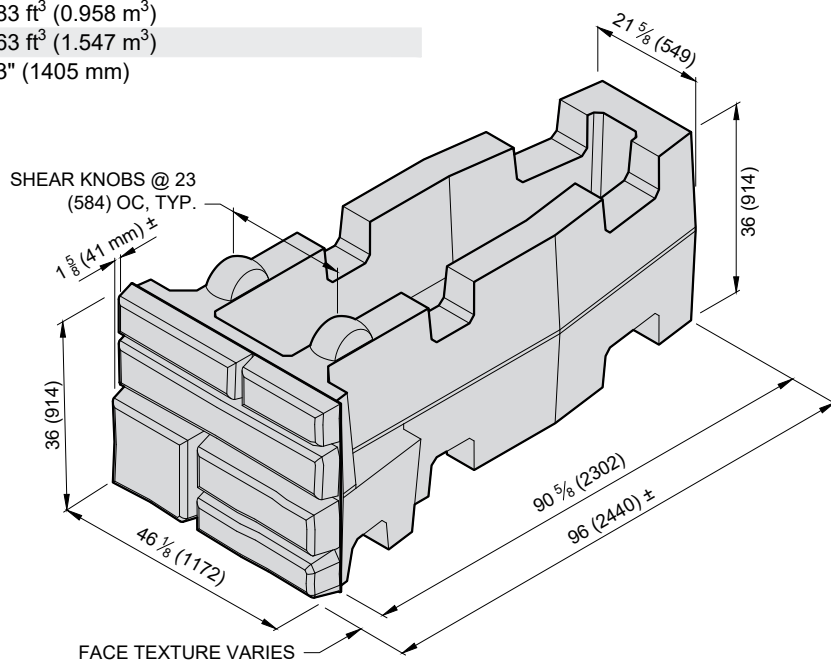
R-7236HC 72" (1830 mm) XL Hollow-Core

Face Texture:	Ledgestone
Block Weight:	4160 lb (1890 kg)
Block Volume:	29.10 ft ³ (0.824 m ³)
Infill Volume:	36.29 ft ³ (1.028 m ³)
Center of Gravity:	39.9" (1013 mm)



R-9636HC 96" (2440 mm) XL Hollow-Core

Face Texture:	Ledgestone
Block Weight:	4840 lb (2190 kg)
Block Volume:	33.83 ft ³ (0.958 m ³)
Infill Volume:	54.63 ft ³ (1.547 m ³)
Center of Gravity:	55.3" (1405 mm)

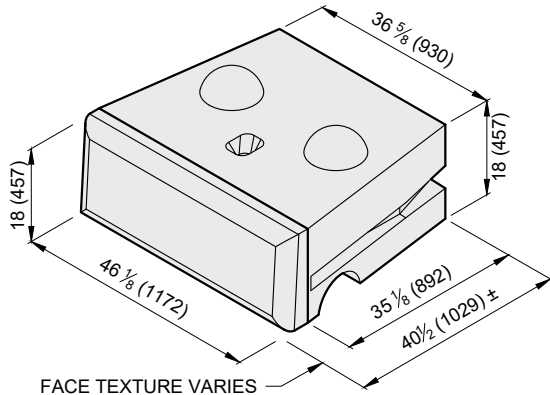


1. Units for dimensions are inches (mm), typical unless noted otherwise.
2. Block production varies with each licensed Redi-Rock manufacturer. Confirm availability before Specifying or Ordering.
3. Center of Gravity is measured from the back of block, excluding stone infill.
4. Actual block volumes and weights may vary.
5. Weights are based upon a concrete density of 143 lb/ft³ (2291kg/m³).
6. Interface Shear knobs are nominally 10" (254mm) diameter by 4" (102 mm) tall.

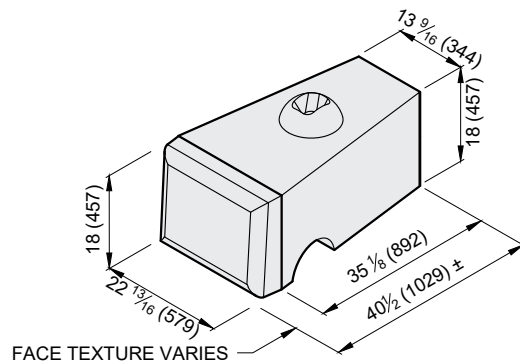
RETAINING BLOCKS

Block Library

R-419M		41" (1030mm) MIDDLE 9" (230mm) SETBACK		R-419HM	
Face Texture:	Cobble / Limestone	Kingstone / Ledgestone	Face Texture:	Cobble / Limestone	Kingstone / Ledgestone
Block Weight:	2320 lb (1050 kg)	2250 lb (1020 kg)	Block Weight:	1030 lb (470 kg)	1000 lb (450 kg)
Block Volume:	16.21 ft ³ (0.46 m ³)	15.72 ft ³ (0.44 m ³)	Block Volume:	7.20 ft ³ (0.20 m ³)	6.96 ft ³ (0.20 m ³)
Center of Gravity:	20.2" (514 mm)	19.7" (500 mm)	Center of Gravity:	21.3" (540 mm)	20.7" (525 mm)

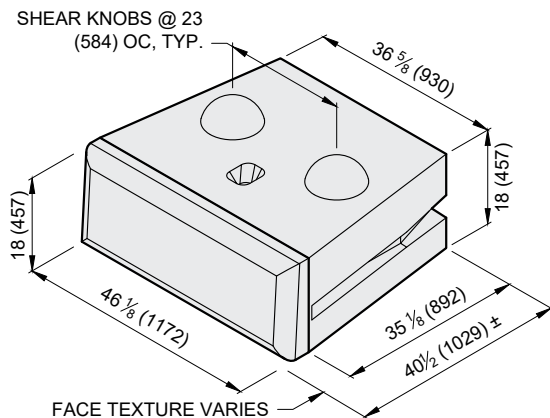


FULL MIDDLE

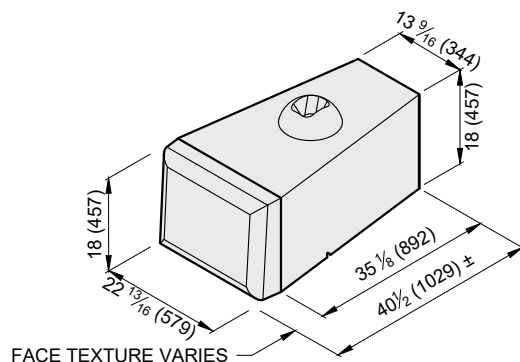


HALF MIDDLE

R-419B		41" (1030mm) BOTTOM 9" (230mm) SETBACK		R-419HB	
Face Texture:	Cobble / Limestone	Kingstone / Ledgestone	Face Texture:	Cobble / Limestone	Kingstone / Ledgestone
Block Weight:	2450 lb (1110 kg)	2380 lb (1080 kg)	Block Weight:	1090 lb (500 kg)	1060 lb (480 kg)
Block Volume:	17.13 ft ³ (0.48 m ³)	16.63 ft ³ (0.47 m ³)	Block Volume:	7.63 ft ³ (0.22 m ³)	7.39 ft ³ (0.21 m ³)
Center of Gravity:	20.6" (523 mm)	20.1" (510 mm)	Center of Gravity:	21.6" (548 mm)	21.0" (534 mm)



FULL BOTTOM



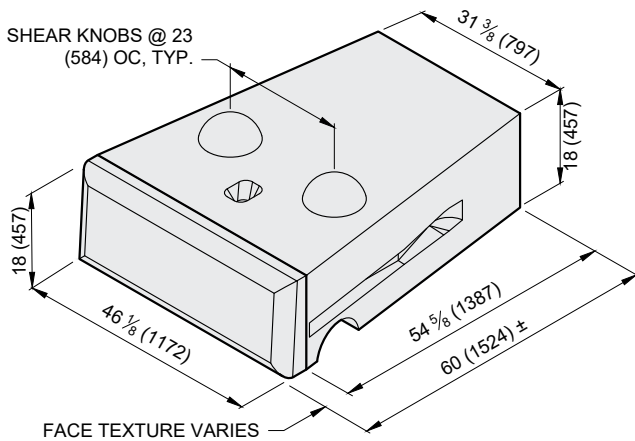
HALF BOTTOM

1. Units for dimensions are inches (mm), typical unless noted otherwise.
2. Block production varies with each licensed Redi-Rock manufacturer. Confirm availability before Specifying or Ordering.
3. Center of Gravity is measured from the back of block.
4. Actual block volumes and weights may vary.
5. Weights are based upon a concrete density of 143 lb/ft³ (2291kg/m³).
6. Half blocks contain a fork slot on only one side of the block.
7. Interface Shear knobs are typically 10" (254mm) diameter by 4" (102 mm) tall.

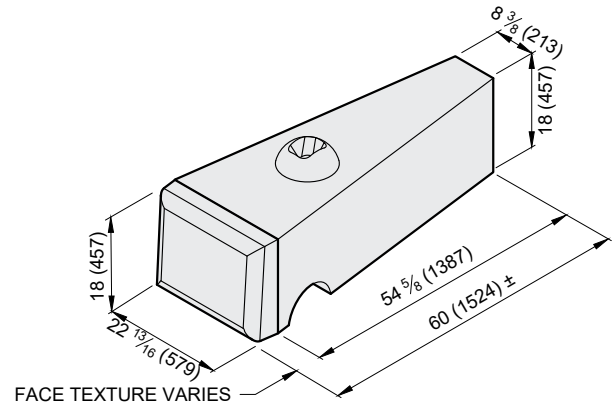
RETAINING BLOCKS

Block Library

R-609M	60" (1520mm) MIDDLE 9" (230mm) SETBACK		R-609HM
Face Texture:	Cobble / Limestone	Kingstone / Ledgestone	Face Texture: Cobble / Limestone Kingstone / Ledgestone
Block Weight:	3300 lb (1500 kg)	3230 lb (1460 kg)	Block Weight: 1340 lb (610 kg) 1310 lb (590 kg)
Block Volume:	23.06 ft ³ (0.65 m ³)	22.56 ft ³ (0.64 m ³)	Block Volume: 9.37 ft ³ (0.26 m ³) 9.12 ft ³ (0.26 m ³)
Center of Gravity:	30.9" (785 mm)	30.3" (770 mm)	Center of Gravity: 33.6" (855 mm) 33.0" (839 mm)

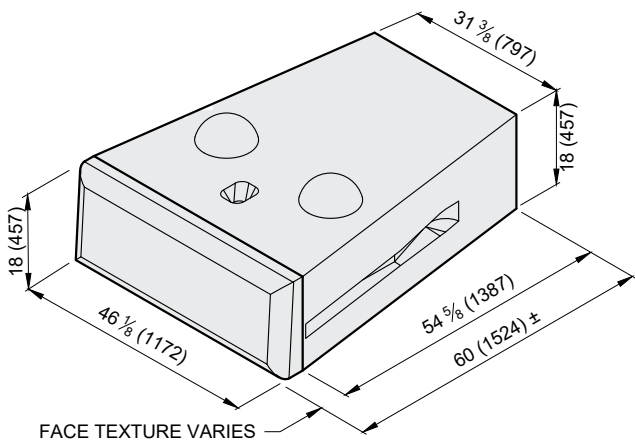


FULL MIDDLE

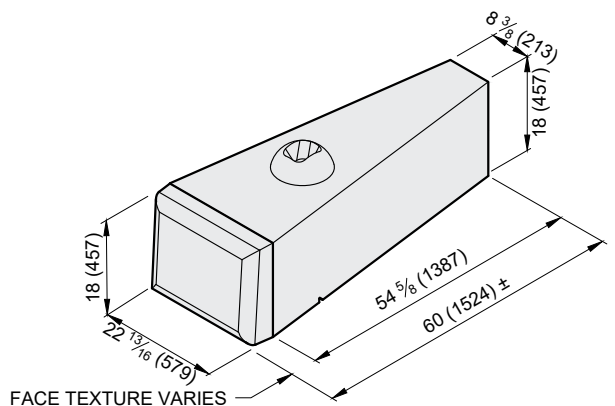


HALF MIDDLE

R-609B	60" (1520mm) BOTTOM 9" (230mm) SETBACK		R-609HB
Face Texture:	Cobble / Limestone	Kingstone / Ledgestone	Face Texture: Cobble / Limestone Kingstone / Ledgestone
Block Weight:	3430 lb (1550 kg)	3360 lb (1520 kg)	Block Weight: 1400 lb (640 kg) 1370 lb (620 kg)
Block Volume:	23.97 ft ³ (0.68 m ³)	23.47 ft ³ (0.66 m ³)	Block Volume: 9.80 ft ³ (0.28 m ³) 9.55 ft ³ (0.27 m ³)
Center of Gravity:	31.5" (800 mm)	30.9" (786 mm)	Center of Gravity: 34.2" (869 mm) 33.6" (854 mm)



FULL BOTTOM



HALF BOTTOM

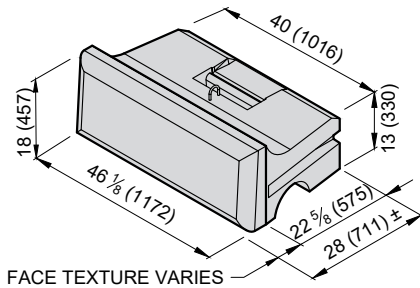
1. Units for dimensions are inches (mm), typical unless noted otherwise.
2. Block production varies with each licensed Redi-Rock manufacturer. Confirm availability before Specifying or Ordering.
3. Center of Gravity is measured from the back of block.
4. Actual block volumes and weights may vary.
5. Weights are based upon a concrete density of 143 lb/ft³ (2291kg/m³).
6. Half blocks contain a fork slot on only one side of the block.
7. Interface Shear knobs are typically 10" (254mm) diameter by 4" (102 mm) tall.
8. 60" (1520 mm) Blocks are typically used at the bottom of taller walls.

RETAINING BLOCKS

Block Library

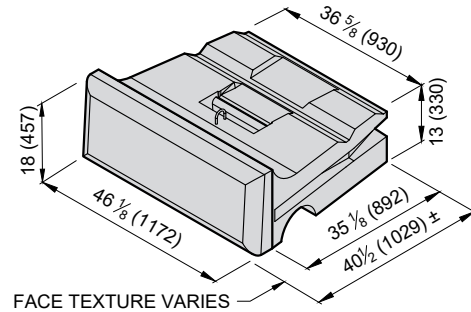
R-28PCT 28" (710mm) PC TOP

Face Texture:	Cobble / Limestone	Kingstone / Ledgestone
Block Weight:	1170 lb (530 kg)	1100 lb (500 kg)
Block Volume:	8.16 ft ³ (0.231 m ³)	7.66 ft ³ (0.217 m ³)
Center of Gravity:	15.3" (388 mm)	14.6" (372 mm)



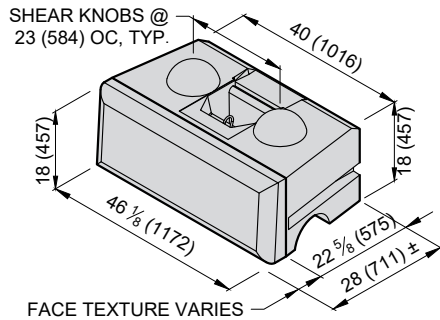
R-41PCT 41" (1030mm) PC TOP

Face Texture:	Cobble / Limestone	Kingstone / Ledgestone
Block Weight:	1630 lb (740 kg)	1560 lb (710 kg)
Block Volume:	11.38 ft ³ (0.32 m ³)	10.88 ft ³ (0.31 m ³)
Center of Gravity:	21.8" (554 mm)	21.1" (536 mm)



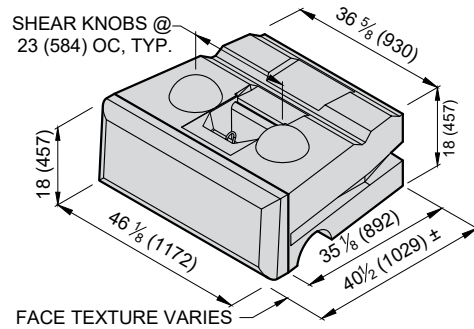
R-28PCM 28" (710mm) PC MIDDLE

Face Texture:	Cobble / Limestone	Kingstone / Ledgestone
Block Weight:	1520 lb (690 kg)	1450 lb (660 kg)
Block Volume:	10.62 ft ³ (0.301 m ³)	10.12 ft ³ (0.287 m ³)
Center of Gravity:	14.2" (360 mm)	13.6" (346 mm)



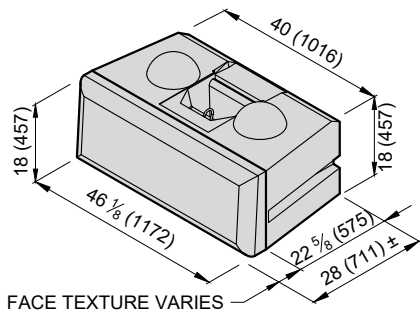
R-41PCM 41" (1030mm) PC MIDDLE

Face Texture:	Cobble / Limestone	Kingstone / Ledgestone
Block Weight:	2170 lb (990 kg)	2100 lb (950 kg)
Block Volume:	15.2 ft ³ (0.43 m ³)	14.69 ft ³ (0.42 m ³)
Center of Gravity:	20.6" (522 mm)	20.0" (508 mm)



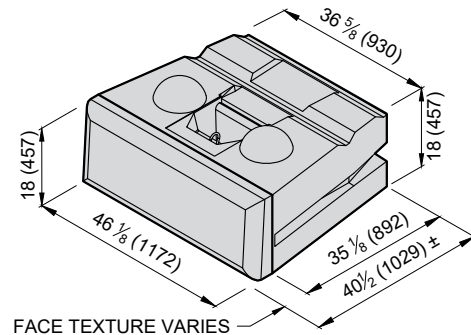
R-28PCB 28" (710mm) PC BOTTOM

Face Texture:	Cobble / Limestone	Kingstone / Ledgestone
Block Weight:	1620 lb (740 kg)	1550 lb (700 kg)
Block Volume:	11.34 ft ³ (0.321 m ³)	10.85 ft ³ (0.307 m ³)
Center of Gravity:	14.2" (362 mm)	13.7" (349 mm)



R-41PCB 41" (1030mm) PC BOTTOM

Face Texture:	Cobble / Limestone	Kingstone / Ledgestone
Block Weight:	2280 lb (1030 kg)	2210 lb (1000 kg)
Block Volume:	15.92 ft ³ (0.45 m ³)	15.42 ft ³ (0.44 m ³)
Center of Gravity:	20.2" (514mm)	19.7" (501mm)



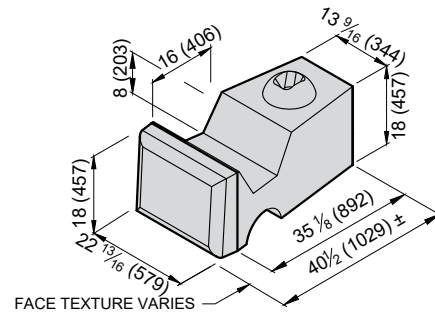
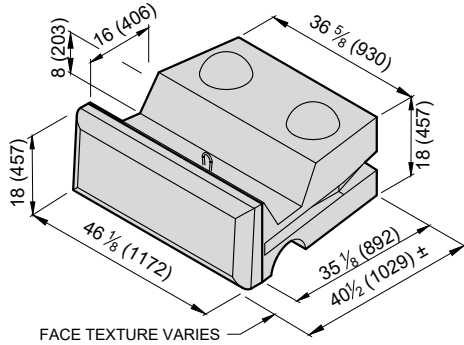
1. Units for dimensions are inches (mm), typical unless noted otherwise.
2. Block production varies with each licensed Redi-Rock manufacturer. Confirm availability before Specifying or Ordering.
3. Center of Gravity is measured from the back of block.
4. Actual block volumes and weights may vary.

5. Weights are based upon a concrete density of 143 lb/ft³ (2291kg/m³).
6. Blocks contain a vertical slot for a 12" (300 mm) strip of geogrid soil reinforcement.
7. Interface Shear knobs are typically 10" (254mm) diameter by 4" (102 mm) tall. Smaller knob diameters are available.

RETAINING BLOCKS

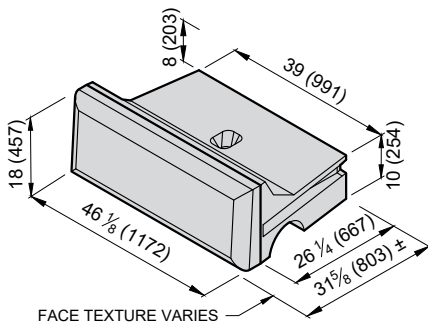
Block Library

R-41PL 41" (1030mm) PLANTER			R-41HPL 41" (1030mm) HALF PLANTER		
Face Texture:	Cobble / Limestone	Kingstone / Ledgestone	Face Texture:	Cobble / Limestone	Kingstone / Ledgestone
Block Weight:	2010 lb (910 kg)	1930 lb (880 kg)	Block Weight:	880 lb (400 kg)	840 lb (380 kg)
Block Volume:	14.02 ft ³ (0.40 m ³)	13.53 ft ³ (0.38 m ³)	Block Volume:	6.14 ft ³ (0.17 m ³)	5.89 ft ³ (0.17 m ³)
Center of Gravity:	19.1" (485 mm)	18.4" (468 mm)	Center of Gravity:	20.2" (513 mm)	19.5" (495 mm)

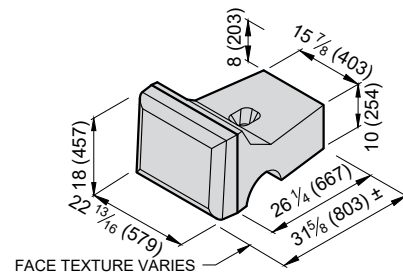


R-MT MODIFIED TOP			R-MHT MODIFIED HALF TOP		
Face Texture:	Cobble / Limestone	Kingstone / Ledgestone	Face Texture:	Cobble / Limestone	Kingstone / Ledgestone
Block Weight:	1200 lb (540 kg)	1130 lb (510 kg)	Block Weight:	710 lb (320 kg)	640 lb (290 kg)
Block Volume:	8.38 ft ³ (0.24 m ³)	7.88 ft ³ (0.22 m ³)	Block Volume:	4.95 ft ³ (0.14 m ³)	4.45 ft ³ (0.13 m ³)
Center of Gravity:	17.9" (455 mm)	17.2" (438 mm)	Center of Gravity:	20.7" (527 mm)	19.8" (504 mm)

SPECIALITY BLOCK



SPECIALITY BLOCK



1. Units for dimensions are inches (mm), typical unless noted otherwise.
2. Block production varies with each licensed Redi-Rock manufacturer. Confirm availability before Specifying or Ordering.
3. Center of Gravity is measured from the back of block.
4. Actual block volumes and weights may vary.

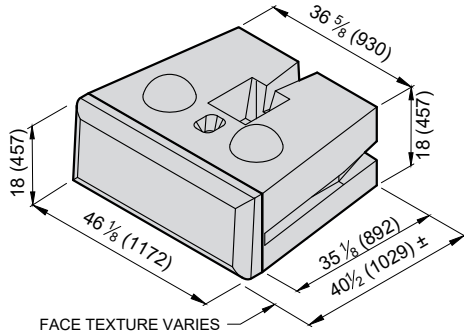
5. Weights are based upon a concrete density of 143 lb/ft³ (2291kg/m³).
6. Half blocks contain a fork slot on only one side of the block.
7. Interface Shear knobs are typically 10" (254 mm) diameter by 4" (102 mm) tall.

RETAINING BLOCKS

Block Library

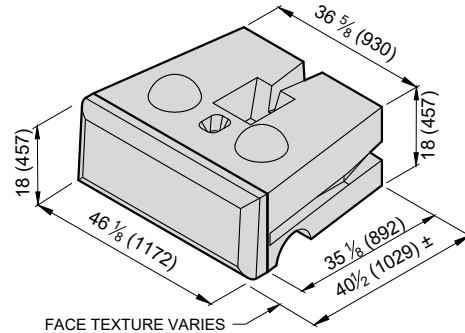
R-AB ANCHOR BOTTOM

Face Texture:	Cobble / Limestone	Kingstone / Ledgestone
Block Weight:	2370 lb (1070 kg)	2290 lb (1040 kg)
Block Volume:	16.54 ft ³ (0.47 m ³)	16.04 ft ³ (0.45 m ³)
Center of Gravity:	21.0" (533 mm)	20.4" (519 mm)



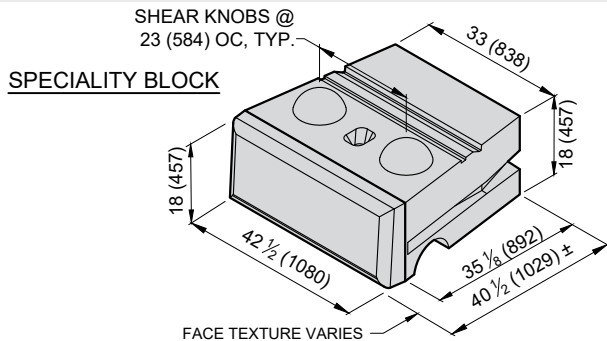
R-AM ANCHOR MIDDLE

Face Texture:	Cobble / Limestone	Kingstone / Ledgestone
Block Weight:	2240 lb (1010 kg)	2160 lb (980 kg)
Block Volume:	15.63 ft ³ (0.44 m ³)	15.13 ft ³ (0.43 m ³)
Center of Gravity:	20.6" (523 mm)	20.0" (509 mm)



R-SM SHORT MIDDLE

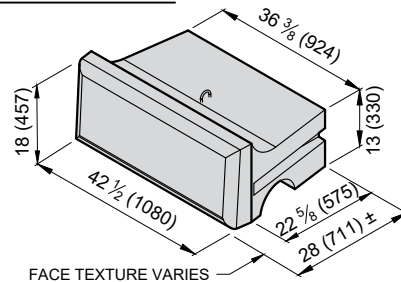
Face Texture:	Cobble / Limestone	Kingstone / Ledgestone
Block Weight:	2140 lb (970 kg)	2080 lb (940 kg)
Block Volume:	14.95 ft ³ (0.42 m ³)	14.51 ft ³ (0.41 m ³)
Center of Gravity:	19.7" (499mm)	19.2" (487mm)



R-ST SHORT TOP

Face Texture:	Cobble / Limestone	Kingstone / Ledgestone
Block Weight:	1110 lb (500 kg)	1050 lb (480 kg)
Block Volume:	7.77 ft ³ (0.22 m ³)	7.33 ft ³ (0.21 m ³)
Center of Gravity:	13.7" (349mm)	13.2" (336mm)

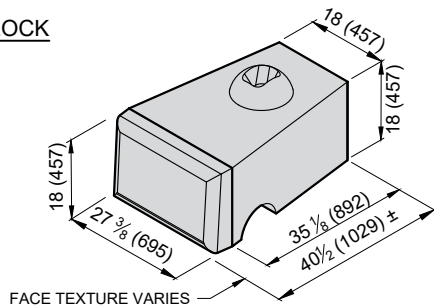
SPECIALITY BLOCK



R-419SM 9" (230mm) SETBACK SHORT MID

Face Texture:	Cobble / Limestone	Kingstone / Ledgestone
Block Weight:	1280 lb (580 kg)	1240 lb (560 kg)
Block Volume:	8.96 ft ³ (0.25 m ³)	8.66 ft ³ (0.24 m ³)
Center of Gravity:	20.0" (507mm)	19.5" (494mm)

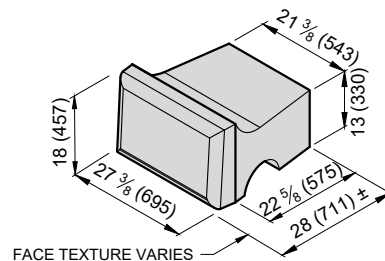
SPECIALITY BLOCK



R-419ST 9" (230mm) SETBACK SHORT TOP

Face Texture:	Cobble / Limestone	Kingstone / Ledgestone
Block Weight:	710 lb (320 kg)	660 lb (300 kg)
Block Volume:	4.94 ft ³ (0.14 m ³)	4.64 ft ³ (0.13 m ³)
Center of Gravity:	13.9" (352mm)	13.3" (339mm)

SPECIALITY BLOCK



1. Units for dimensions are inches (mm), typical unless noted otherwise.
2. Block production varies with each licensed Redi-Rock manufacturer. Confirm availability before Specifying or Ordering.
3. Center of Gravity is measured from the back of block.
4. Actual block volumes and weights may vary.

5. Weights are based upon a concrete density of 143 lb/ft³ (2291kg/m³).
6. 27" (695) wide blocks contain a fork slot on only one side of the block. These are speciality blocks and may have limited availability and is only used in double 90 degree corner applications.
7. Interface Shear knobs are typically 10" (254mm) diameter by 4" (102 mm) tall. Smaller knob diameters are available.

FREESTANDING BLOCKS

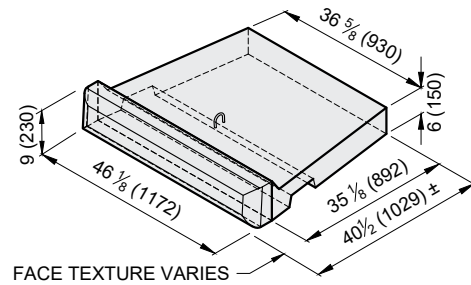
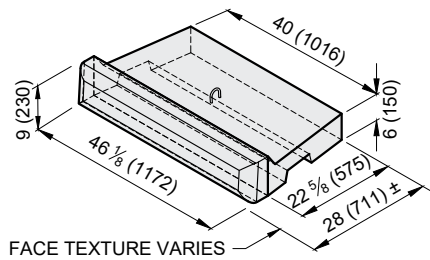
Block Library

R-28SDT

9" (230 mm) STEPDOWN TOP

R-41SDT

Face Texture:	Cobble / Limestone	Kingstone / Ledgestone	Face Texture:	Cobble / Limestone	Kingstone / Ledgestone
Block Weight:	600 lb (270 kg)	500 lb (230 kg)	Block Weight:	840 lb (380 kg)	740 lb (340 kg)
Block Volume:	4.2 ft ³ (0.12 m ³)	3.4 ft ³ (0.10 m ³)	Block Volume:	5.9 ft ³ (0.17 m ³)	5.1 ft ³ (0.14 m ³)



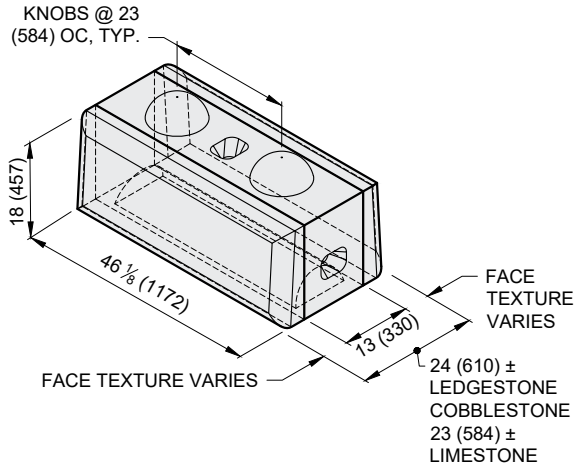
1. Units for dimensions are inches (mm), typical unless noted otherwise.
2. Block production varies with each licensed Redi-Rock manufacturer. Confirm availability before Specifying or Ordering.
3. Architectural faces on the blocks have varying texture.
4. Actual block volumes and weights may vary.
5. Weights are based upon a concrete density of 143 lb/ft³ (2291 kg/m³).

FREESTANDING BLOCKS

Block Library

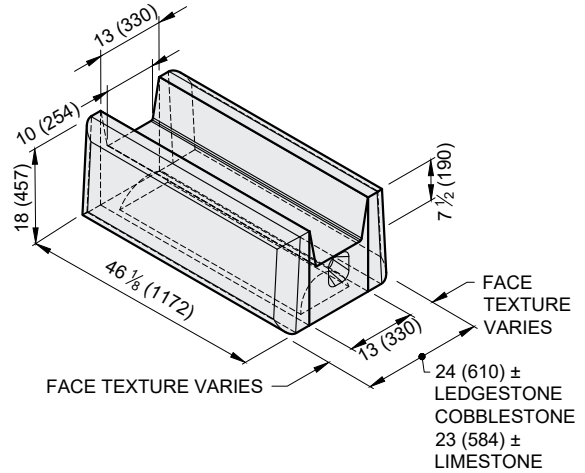
F-SM STRAIGHT MIDDLE

Face Texture:	Cobble / Limestone	Kingstone / Ledgestone
Block Weight:	1410 lb (640 kg)	1260 lb (570 kg)
Block Volume:	9.84 ft ³ (0.279 m ³)	8.84 ft ³ (0.250 m ³)



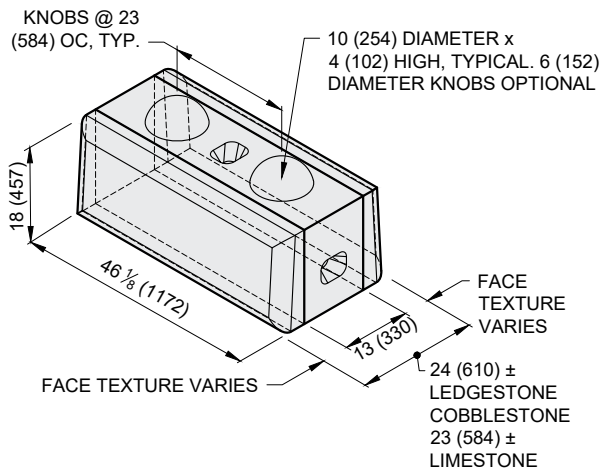
F-SG STRAIGHT GARDEN TOP

Face Texture:	Cobble / Limestone	Kingstone / Ledgestone
Block Weight:	1050 lb (480 kg)	910 lb (410 kg)
Block Volume:	7.35 ft ³ (0.208 m ³)	6.35 ft ³ (0.180 m ³)



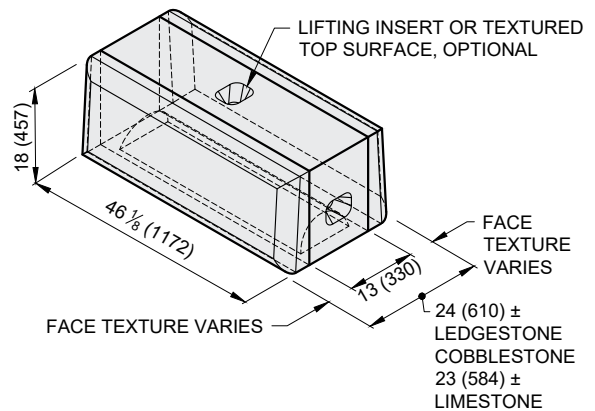
F-SB STRAIGHT BOTTOM

Face Texture:	Cobble / Limestone	Kingstone / Ledgestone
Block Weight:	1520 lb (690 kg)	1380 lb (630 kg)
Block Volume:	10.65 ft ³ (0.302 m ³)	9.66 ft ³ (0.273 m ³)



F-ST STRAIGHT TOP

Face Texture:	Cobble / Limestone	Kingstone / Ledgestone
Block Weight:	1380 lb (620 kg)	1230 lb (560 kg)
Block Volume:	9.61 ft ³ (0.272 m ³)	8.62 ft ³ (0.244 m ³)



1. Units for dimensions are inches (mm), typical unless noted otherwise.
2. Block production varies with each licensed Redi-Rock manufacturer. Confirm availability before Specifying or Ordering.
3. Architectural faces on the blocks have varying texture.
4. Actual block volumes and weights may vary.

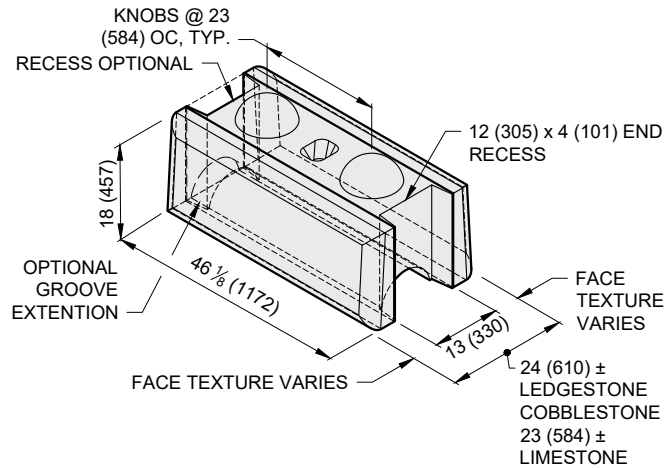
5. Weights are based upon a concrete density of 143 lb/ft³ (2291 kg/m³).
6. 6" (152 mm) diameter vertical semi-cylindrical voids at the ends of the block for mechanical tie-down are available, refer to Force Protection blocks for additional information.
7. Knobs are typically 10" (254mm) diameter by 4" (102 mm) tall. Smaller knobs are available.

FREESTANDING BLOCKS

Block Library

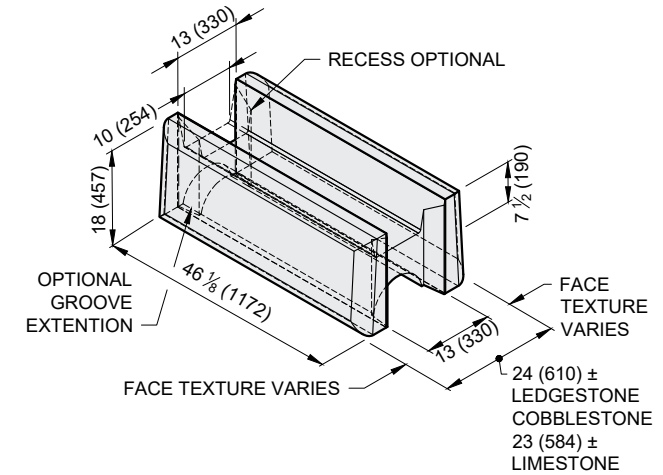
F-VM VARIABLE RADIUS MIDDLE

Face Texture:	Cobble / Limestone	Kingstone / Ledgestone
Block Weight:	1270 lb (570 kg)	1120 lb (510 kg)
Block Volume:	8.86 ft ³ (0.251 m ³)	7.86 ft ³ (0.223 m ³)



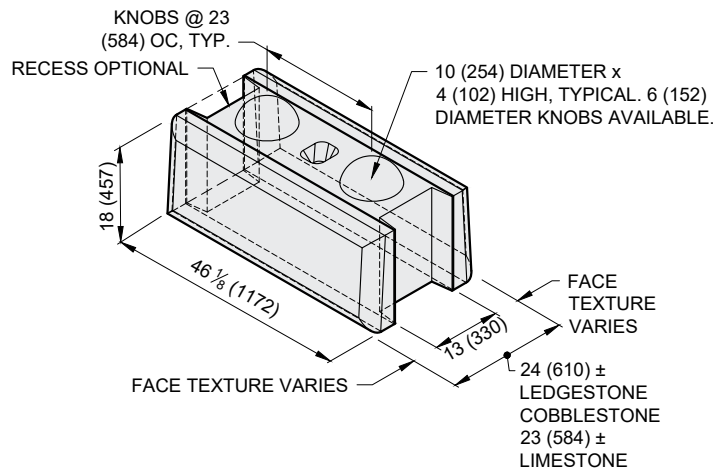
F-VG VARIABLE RADIUS GARDEN TOP

Face Texture:	Cobble / Limestone	Kingstone / Ledgestone
Block Weight:	970 lb (440 kg)	820 lb (370 kg)
Block Volume:	6.76 ft ³ (0.191 m ³)	5.76 ft ³ (0.163 m ³)



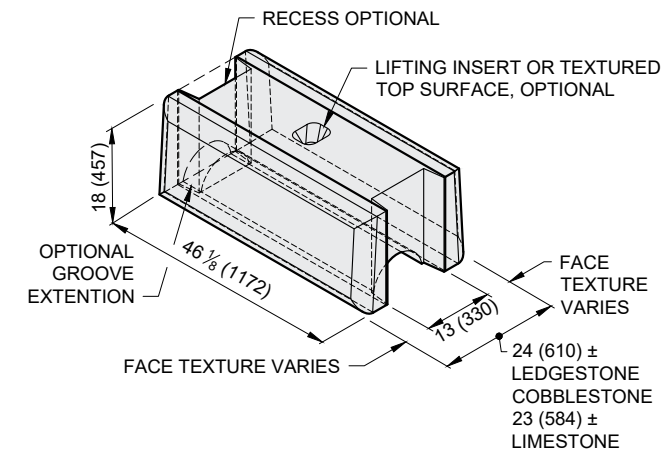
F-VB VARIABLE RADIUS BOTTOM

Face Texture:	Cobble / Limestone	Kingstone / Ledgestone
Block Weight:	1380 lb (630 kg)	1240 lb (560 kg)
Block Volume:	9.65 ft ³ (0.273 m ³)	8.66 ft ³ (0.245 m ³)



F-VT VARIABLE RADIUS TOP

Face Texture:	Cobble / Limestone	Kingstone / Ledgestone
Block Weight:	1240 lb (560 kg)	1090 lb (500 kg)
Block Volume:	8.63 ft ³ (0.244 m ³)	7.64 ft ³ (0.216 m ³)



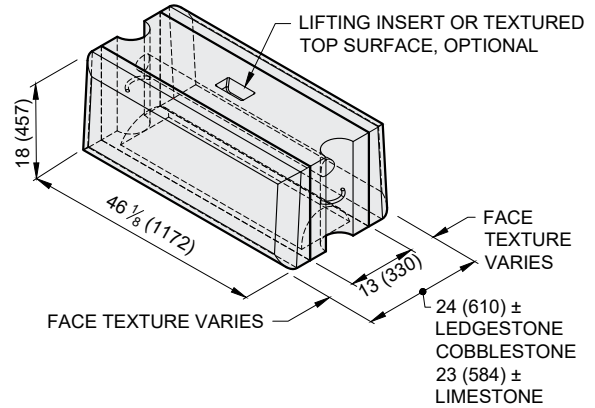
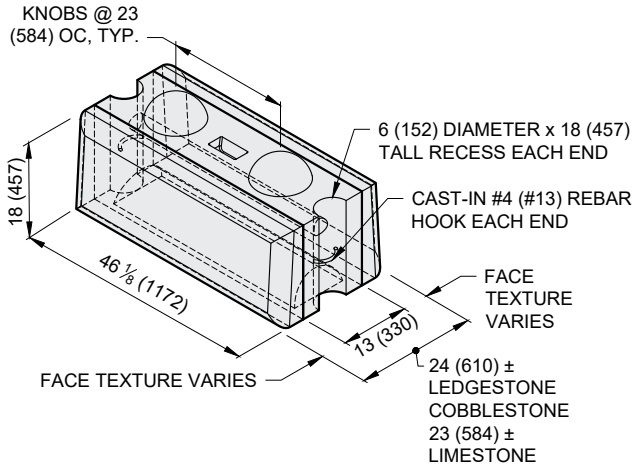
1. Units for dimensions are inches (mm), typical unless noted otherwise.
2. Block production varies with each licensed Redi-Rock manufacturer. Confirm availability before Specifying or Ordering.
3. Variable radius feature can be cast on only one end, coordinate.
4. Architectural faces on the blocks have varying texture.
5. Actual block volumes and weights may vary.
6. Weights are based upon a concrete density of 143 lb/ft³ (2291 kg/m³).
7. Knobs are typically 10" (254 mm) diameter by 4" (102 mm) tall. Smaller knobs are available.

FREESTANDING BLOCKS

Block Library

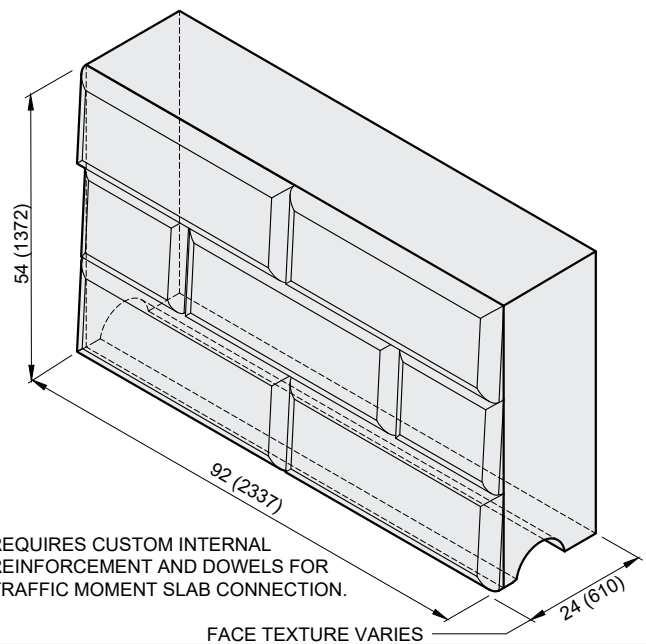
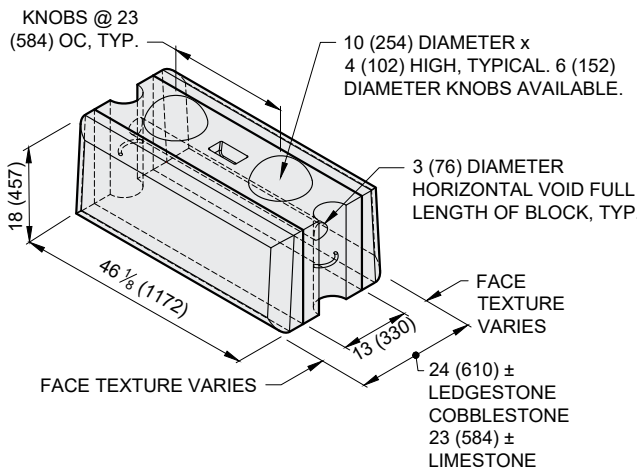
F-FM	FORCE PROTECTION MIDDLE		F-FT	FORCE PROTECTION TOP	
------	-------------------------	--	------	----------------------	--

Face Texture:	Cobble / Limestone	Kingstone / Ledgestone	Face Texture:	Cobble / Limestone	Kingstone / Ledgestone
Block Weight:	1350 lb (610 kg)	1200 lb (550 kg)	Block Weight:	1310 lb (600 kg)	1170 lb (530 kg)
Block Volume:	9.41 ft ³ (0.267 m ³)	8.42 ft ³ (0.238 m ³)	Block Volume:	9.19 ft ³ (0.260 m ³)	8.19 ft ³ (0.232 m ³)



F-FB	FORCE PROTECTION BOTTOM		F-BB	BARRIER BLOCK	
------	-------------------------	--	------	---------------	--

Face Texture:	Cobble / Limestone	Kingstone / Ledgestone	Block Weight:	9,350 lb (4,240 kg)	
Block Weight:	1460 lb (660 kg)	1320 lb (600 kg)	Block Volume:	65.4 ft ³ (1.85 m ³)	
Block Volume:	10.23 ft ³ (0.290 m ³)	9.23 ft ³ (0.261 m ³)			



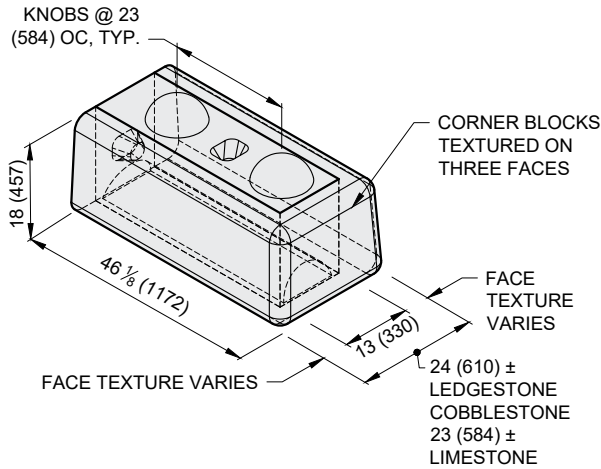
- Units for dimensions are inches (mm), typical unless noted otherwise.
- Block production varies with each licensed Redi-Rock manufacturer. Confirm availability before Specifying or Ordering.
- Architectural faces on the blocks have varying texture.
- Actual block volumes and weights may vary.
- Weights are based upon a concrete density of 143 lb/ft³ (2291 kg/m³).
- Knobs are typically 10" (254mm) diameter by 4" (102 mm) tall. Smaller knobs are available.

FREESTANDING BLOCKS

Block Library

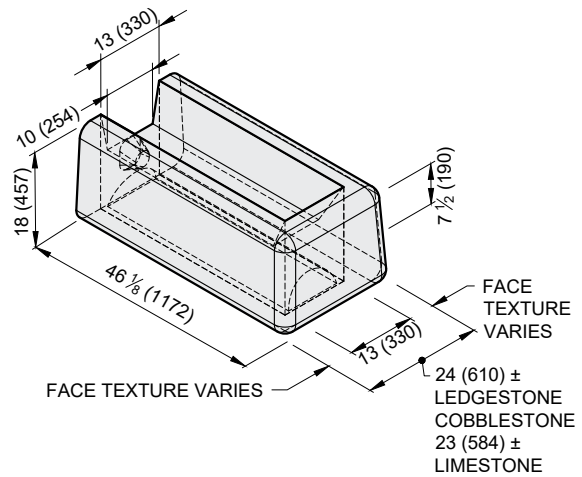
F-CM CORNER MIDDLE

Face Texture:	Cobble / Limestone	Kingstone / Ledgestone
Block Weight:	1370 lb (620 kg)	1360 lb (620 kg)
Block Volume:	9.6 ft ³ (0.27m ³)	9.5 ft ³ (0.27m ³)



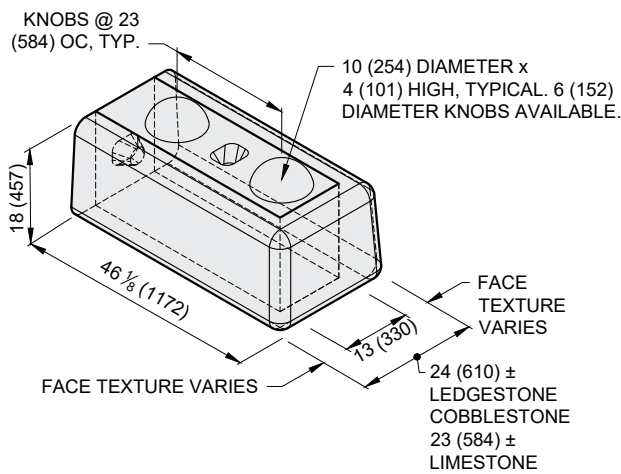
F-CG CORNER GARDEN TOP

Face Texture:	Cobble / Limestone	Kingstone / Ledgestone
Block Weight:	1070 lb (480 kg)	1060 lb (480 kg)
Block Volume:	7.5 ft ³ (0.21m ³)	7.4 ft ³ (0.21m ³)



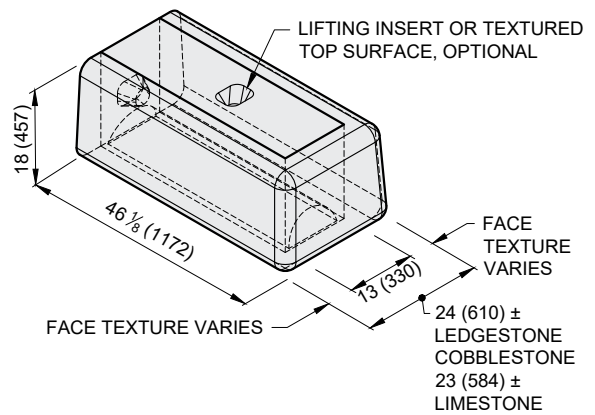
F-CB CORNER BOTTOM

Face Texture:	Cobble / Limestone	Kingstone / Ledgestone
Block Weight:	1490 lb (680 kg)	1480 lb (670 kg)
Block Volume:	10.4 ft ³ (0.30m ³)	10.3 ft ³ (0.29m ³)



F-CT CORNER TOP

Face Texture:	Cobble / Limestone	Kingstone / Ledgestone
Block Weight:	1340 lb (610 kg)	1330 lb (600 kg)
Block Volume:	9.4 ft ³ (0.26m ³)	9.3 ft ³ (0.26m ³)



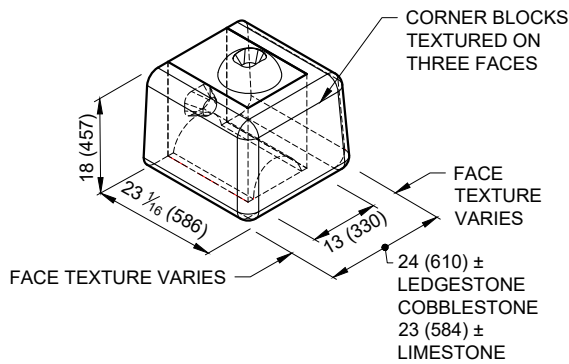
1. Units for dimensions are inches (mm), typical unless noted otherwise.
2. Block production varies with each licensed Redi-Rock manufacturer. Confirm availability before Specifying or Ordering.
3. Architectural faces on the blocks have varying texture.
4. Actual block volumes and weights may vary.
5. Weights are based upon a concrete density of 143 lb/ft³ (2291 kg/m³).
6. Knobs are typically 10" (254mm) diameter by 4" (102 mm) tall. Smaller knobs are available.

FREESTANDING BLOCKS

Block Library

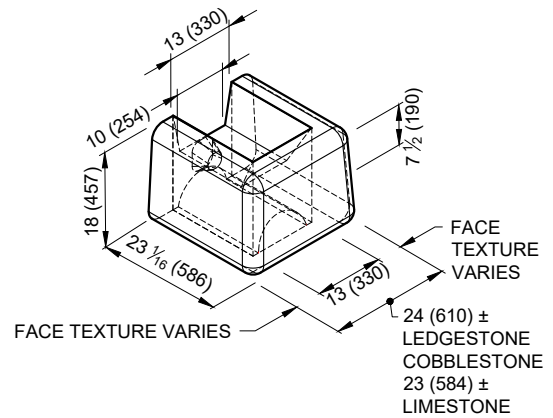
F-HCM HALF CORNER MIDDLE

Face Texture:	Cobble / Limestone	Kingstone / Ledgestone
Block Weight:	660 lb (300 kg)	650 lb (300 kg)
Block Volume:	4.6 ft ³ (0.13m ³)	4.6 ft ³ (0.13m ³)



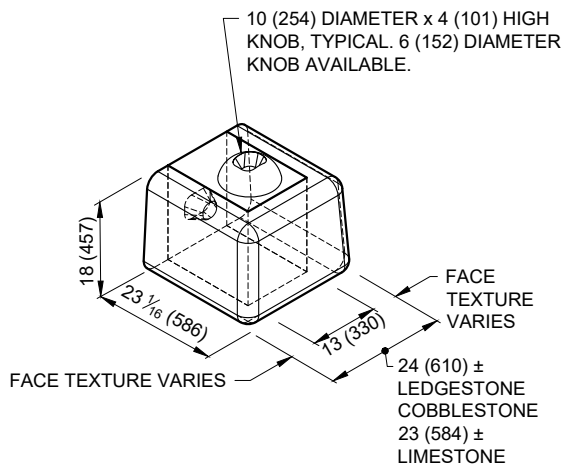
F-HCG HALF CORNER GARDEN TOP

Face Texture:	Cobble / Limestone	Kingstone / Ledgestone
Block Weight:	530 lb (240 kg)	530 lb (240 kg)
Block Volume:	3.7 ft ³ (0.11m ³)	3.7 ft ³ (0.10m ³)



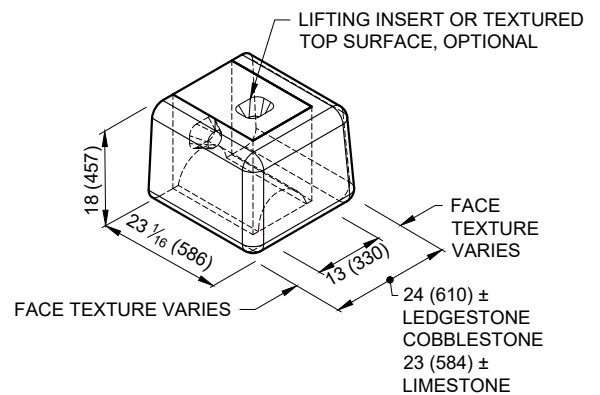
F-HCB HALF CORNER BOTTOM

Face Texture:	Cobble / Limestone	Kingstone / Ledgestone
Block Weight:	710 lb (320 kg)	700 lb (320 kg)
Block Volume:	5.0 ft ³ (0.14m ³)	4.9 ft ³ (0.14m ³)



F-HCT HALF CORNER TOP

Face Texture:	Cobble / Limestone	Kingstone / Ledgestone
Block Weight:	640 lb (290 kg)	630 lb (290 kg)
Block Volume:	4.5 ft ³ (0.13m ³)	4.4 ft ³ (0.13m ³)



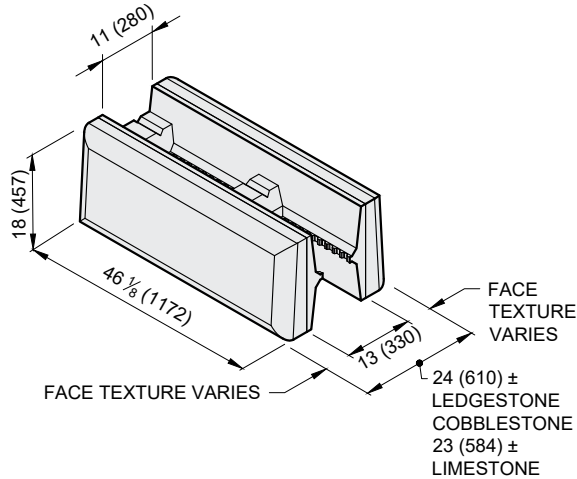
- Units for dimensions are inches (mm), typical unless noted otherwise.
- Block production varies with each licensed Redi-Rock manufacturer. Confirm availability before Specifying or Ordering.
- Architectural faces on the blocks have varying texture.
- Actual block volumes and weights may vary.
- Weights are based upon a concrete density of 143 lb/ft³ (2291 kg/m³).
- Knobs are typically 10" (254mm) diameter by 4" (102 mm) tall. Smaller knobs are available.

FREESTANDING BLOCKS

Block Library

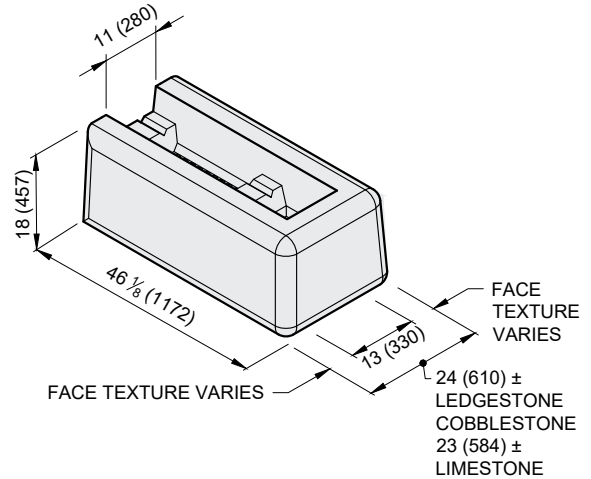
F-HC HOLLOW-CORE

Face Texture:	Cobble / Limestone	Kingstone / Ledgestone
Block Weight:	910 lb (410 kg)	770 lb (350 kg)
Block Volume:	6.38 ft ³ (0.181 m ³)	5.38 ft ³ (0.152 m ³)
Infill Volume:	4.09 ft ³ (0.116 m ³)	



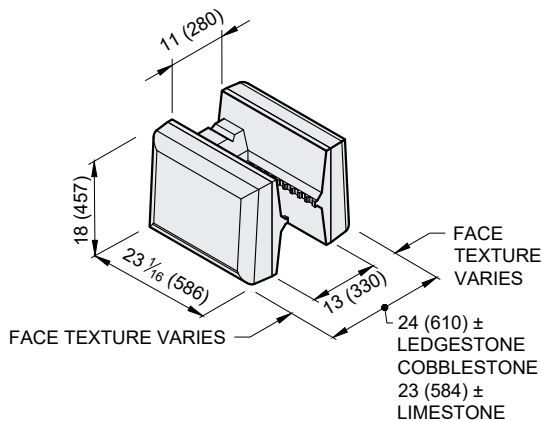
F-CHC CORNER HOLLOW-CORE

Face Texture:	Cobble / Limestone	Kingstone / Ledgestone
Block Weight:	1000 lb (460 kg)	970 lb (440 kg)
Block Volume:	7.01 ft ³ (0.198 m ³)	6.80 ft ³ (0.192 m ³)
Infill Volume:	3.37 ft ³ (0.095 m ³)	



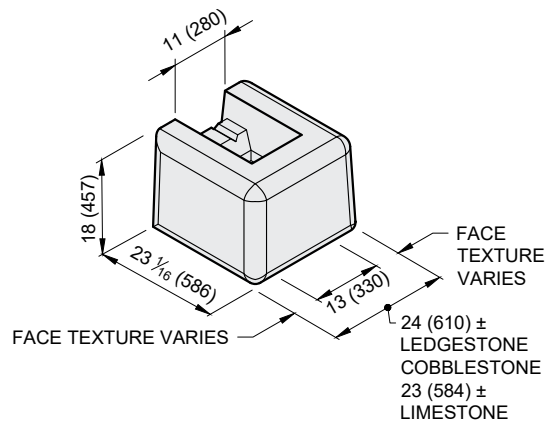
F-HHC HALF HOLLOW-CORE

Face Texture:	Cobble / Limestone	Kingstone / Ledgestone
Block Weight:	460 lb (210 kg)	390 lb (180 kg)
Block Volume:	3.19 ft ³ (0.090 m ³)	2.69 ft ³ (0.076 m ³)
Infill Volume:	2.04 ft ³ (0.058 m ³)	



F-HCHC HALF CORNER HOLLOW-CORE

Face Texture:	Cobble / Limestone	Kingstone / Ledgestone
Block Weight:	550 lb (250 kg)	510 lb (230 kg)
Block Volume:	3.81 ft ³ (0.108 m ³)	3.53 ft ³ (0.100 m ³)
Infill Volume:	1.31 ft ³ (0.037 m ³)	



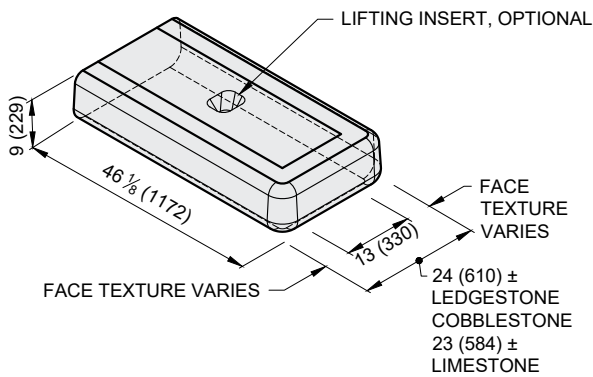
1. Units for dimensions are inches (mm), typical unless noted otherwise.
2. Confirm block production with licensed Redi-Rock manufacturer.
3. Architectural faces on the blocks have varying texture.
4. Average block weights shown. Actual block volumes and weights may vary.
5. Weights are based upon a concrete density of 143 lb/ft³ (2291 kg/m³).

FREESTANDING BLOCKS

Block Library

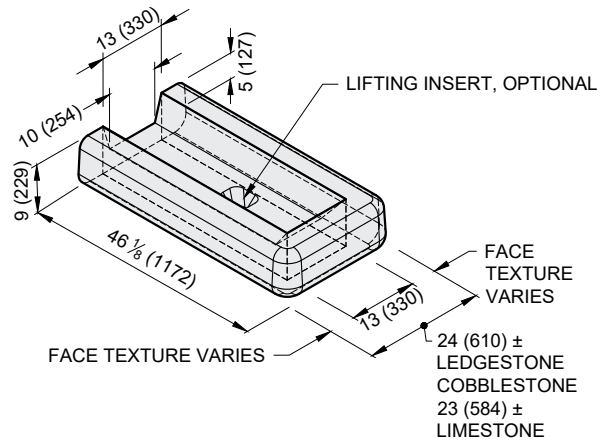
F-9SC 9" (230) STEPDOWN CORNER

Face Texture:	Cobble / Limestone	Kingstone / Ledgestone
Block Weight:	740 lb (340 kg)	660 lb (300 kg)
Block Volume:	5.17 ft ³ (0.146 m ³)	4.60 ft ³ (0.130 m ³)



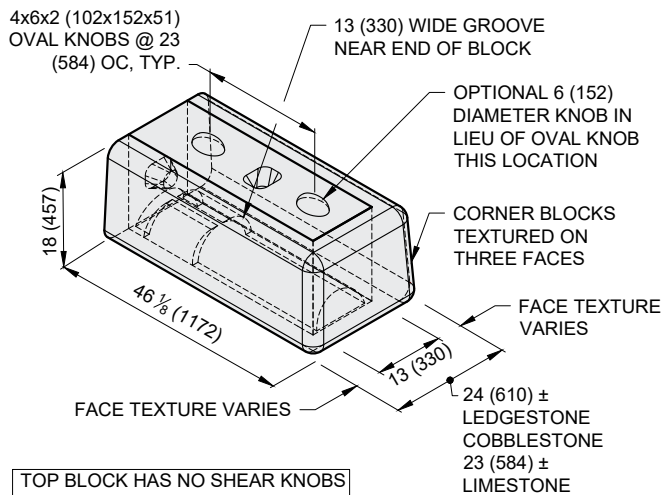
F-9SG 9" (230) STEPDOWN GARDEN

Face Texture:	Cobble / Limestone	Kingstone / Ledgestone
Block Weight:	550 lb (250 kg)	470 lb (210 kg)
Block Volume:	3.86 ft ³ (0.109 m ³)	3.30 ft ³ (0.093 m ³)



F-90C 90 DEGREE CORNER

Face Texture:	Cobble / Limestone	Kingstone / Ledgestone
Block Weight:	1330 lb (600 kg)	1320 lb (600 kg)
Block Volume:	9.3 ft ³ (0.26m ³)	9.2 ft ³ (0.26m ³)



TOP BLOCK HAS NO SHEAR KNOBS AND A TEXTURED TOP SURFACE.

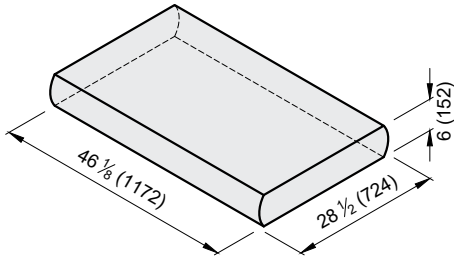
- Units for dimensions are inches (mm), typical unless noted otherwise.
- Block production varies with each licensed Redi-Rock manufacturer. Confirm availability before Specifying or Ordering.
- Architectural faces on the blocks have varying texture.
- Actual block volumes and weights may vary.
- Weights are based upon a concrete density of 143 lb/ft³ (2291 kg/m³).

ACCESSORIES (CAP AND STEP BLOCKS)

Block Library

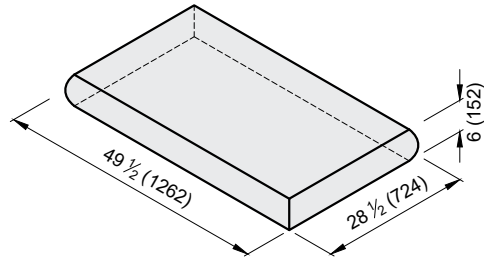
A-2SC TWO-SIDED

Block Weight: 630 lb (290 kg)
 Block Volume: 4.42 ft³ (0.125 m³)



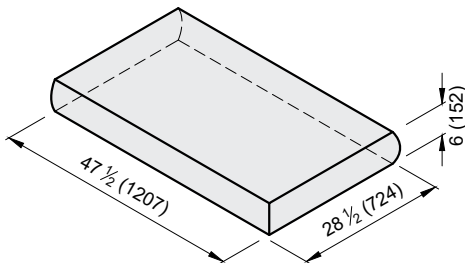
A-4SC FOUR-SIDED

Block Weight: 670 lb (300 kg)
 Block Volume: 4.65 ft³ (0.132 m³)



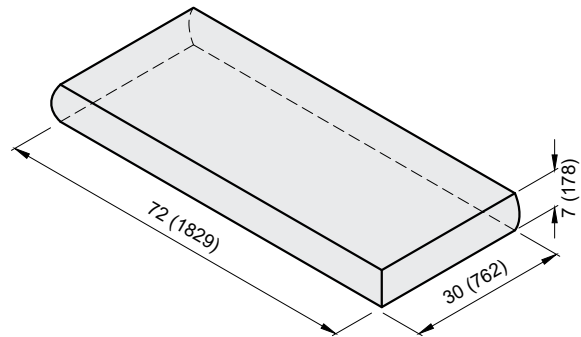
A-3SC THREE-SIDED

Block Weight: 660 lb (300 kg)
 Block Volume: 4.59 ft³ (0.130 m³)



A-3S72 THREE-SIDED STEP 72"

Block Weight: 1,230 lb (560 kg)
 Block Volume: 8.58 ft³ (0.243 m³)



1. Units for dimensions are inches (mm), typical unless noted otherwise.
2. Block production varies with each licensed Redi-Rock manufacturer. Confirm availability before Specifying or Ordering.

3. Actual block volumes and weights may vary.
4. Weights are based upon a concrete density of 143 lb/ft³ (2291 kg/m³).

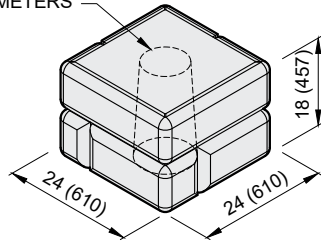
ACCESSORIES (COLUMN BLOCKS)

Block Library

A-COL8 COLUMN - 8" (203mm) CORE

Block Weight: 730 lb (330 kg)
 Block Volume: 5.1 ft³ (0.14 m³)

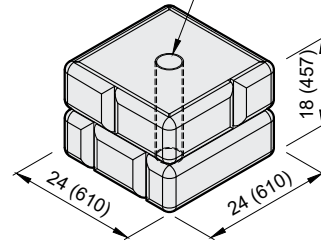
CENTERED THRU TAPERED HOLE
 8-10 (200-250) DIAMETERS



A-COL4 COLUMN - 4" (102mm) CORE

Block Weight: 810 lb (370 kg)
 Block Volume: 5.6 ft³ (0.16 m³)

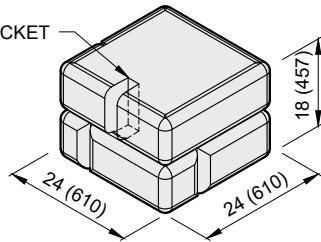
CENTERED 4 (102) DIAMETER
 PVC PIPE SLEEVE THRU BLOCK



A-COLS COLUMN - SOLID CORE

Block Weight: 830 lb (380 kg)
 Block Volume: 5.8 ft³ (0.16 m³)

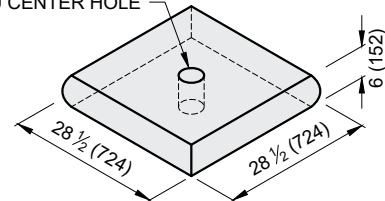
OPTIONAL FENCE POCKET



A-CC COLUMN CAP

Block Weight: 390 lb (180 kg)
 Block Volume: 2.7 ft³ (0.08 m³)

OPTIONAL 4 (102) DIAMETER
 THRU CENTER HOLE



1. Units for dimensions are inches (mm), typical unless noted otherwise.
2. Block production varies with each licensed Redi-Rock manufacturer. Confirm availability before Specifying or Ordering.
3. Actual block volumes and weights may vary.

4. Weights are based upon a concrete density of 143 lb/ft³ (2291 kg/m³).
5. Weight and volume ranges represents the blocks with the maximum hole size shown and with no hole.
6. Optional fence rail pockets available upon request. Typical pocket size is: 2 (50) wide x 5 (130) deep x 9 (230) tall.