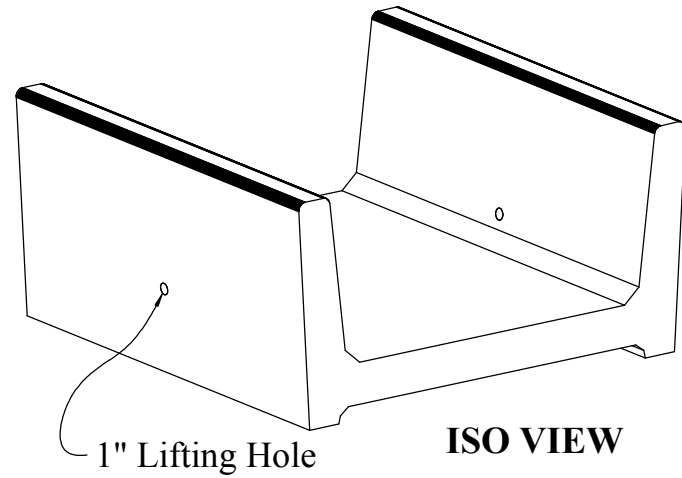
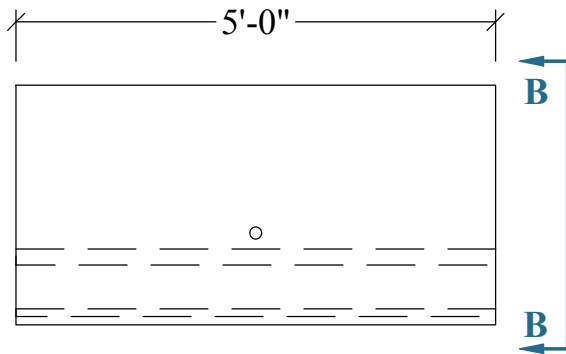


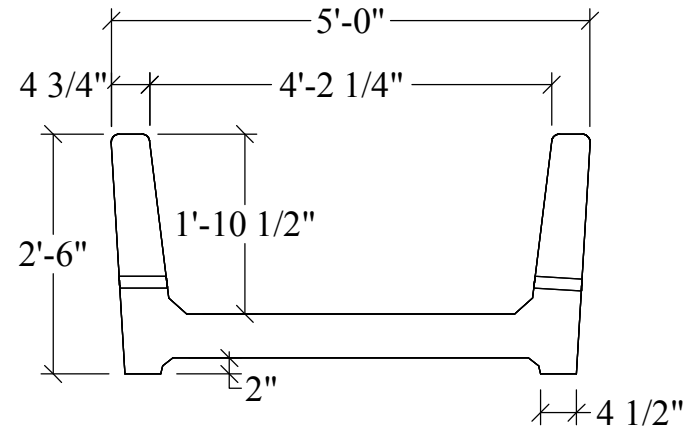
Plan View



ISO VIEW



View A-A



View B-B

Cattle Feeder

BODE'S PRECAST, INC.
 1861 East Pole Rd., Everson, Wa. 98247
 360-354-3912

WEIGHT: 3000 lbs.

DRAWN BY: RDH

DATE: 3-7-13

SPECIFICATIONS

1. Concrete: Fc=5000 psi @ 28 days
2. Rebar: ASTM A-615 Grade 60