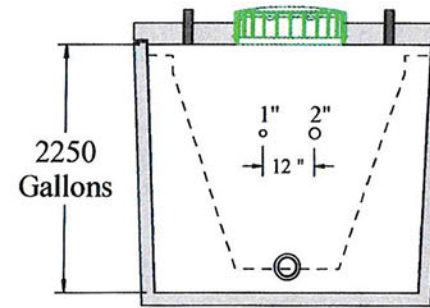
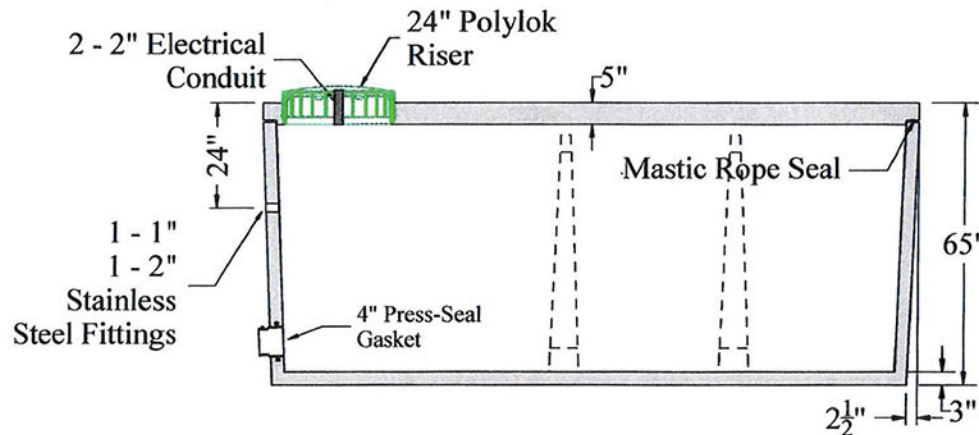


PLAN VIEW



END VIEW



SECTION VIEW

General Notes:

1. CONCRETE: 28 Day Strength = 5000 PSI
2. FIBER REINFORCED: Sika Stealth 5 lb/yd.
3. REBAR: ASTM A 615 Grade 60
4. MASTIC ROPE: ConSeal CS-665
www.conseal.com/PDF/CS-665_ProdSpec.pdf
5. Sika WT240 P Waterproofing Admixture

Weight: 16,080 lbs.

BODE'S PRECAST, INC.
1861 East Pole Rd.
Everson, Wa. 98247
(360) 354-3912

1750 Gallon Water Storage Tank

Flooded Capacity = 2250 Gallons

Model Number: WS1750

Date Issued: September 2010