

**BODE'S PRECAST, INC.**  
1861 East Pole Rd.  
Everson, Wa. 98247  
(360) 354-3912

## 16' L-Wall

### SPECIFICATIONS

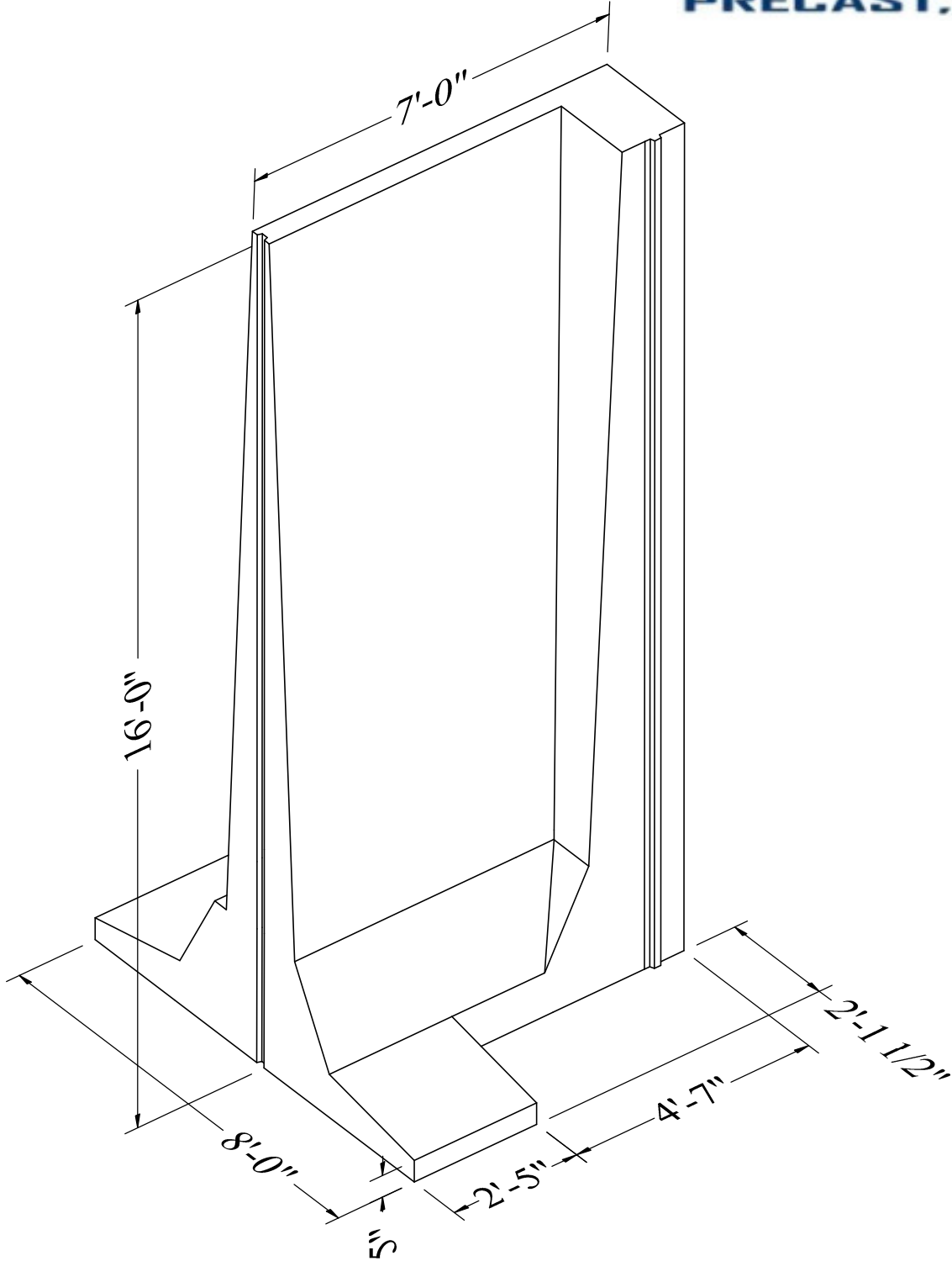
1. Concrete: Fc=5000 psi @ 28 days
2. Rebar: ASTM A-615 Grade 60

WEIGHT: 12,000 Lbs.

DRAWN BY: RDH

DATE: 4-26-13

MODEL: LW16



**BODE'S PRECAST, INC.**  
1861 East Pole Rd.  
Everson, Wa. 98247  
(360) 354-3912

## 16' L-Wall Corner

### SPECIFICATIONS

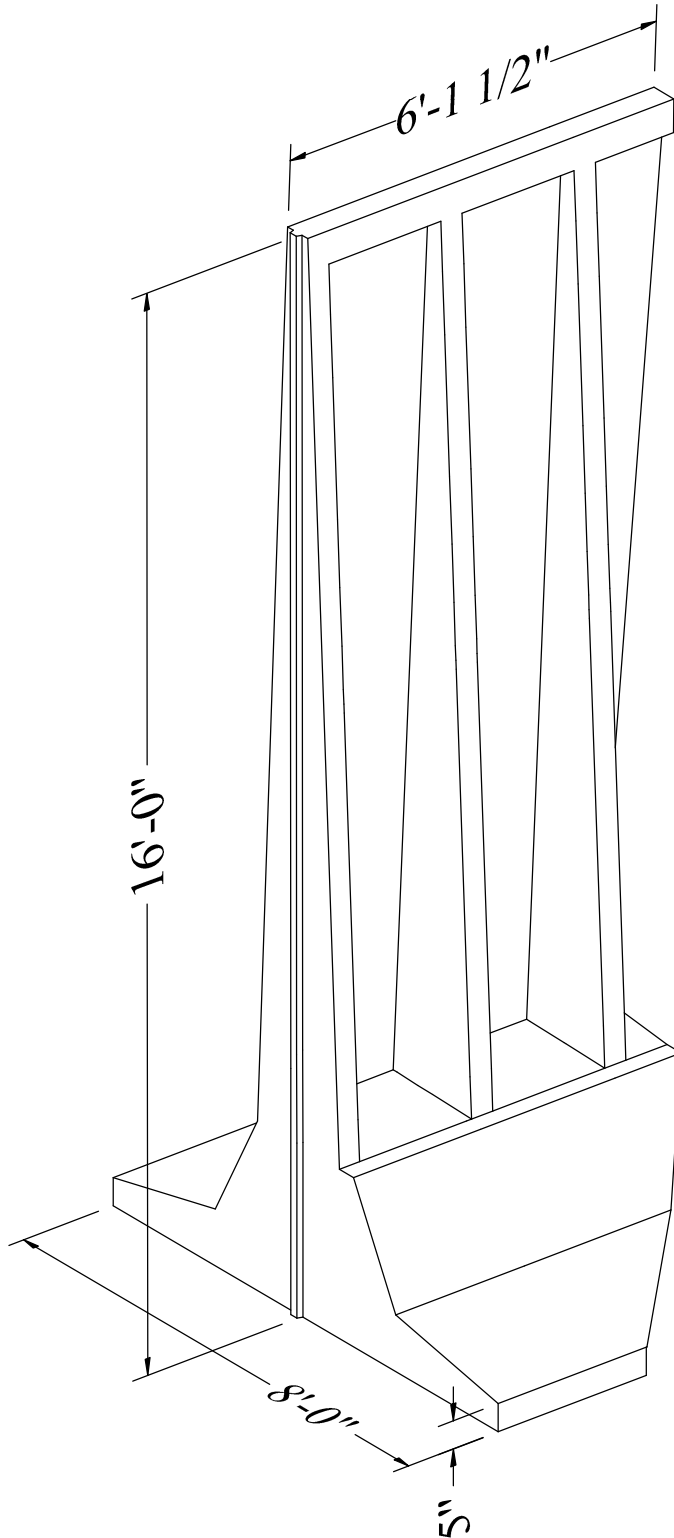
1. Concrete:  $F_c=5000$  psi @ 28 days
2. Rebar: ASTM A-615 Grade 60

WEIGHT: 14,300 Lbs.

DRAWN BY: RDH

DATE: 4-26-13

MODEL: LWC16



**BODE'S PRECAST, INC.**  
1861 East Pole Rd.  
Everson, Wa. 98247  
(360) 354-3912

## 16' L-Wall Wedge

### SPECIFICATIONS

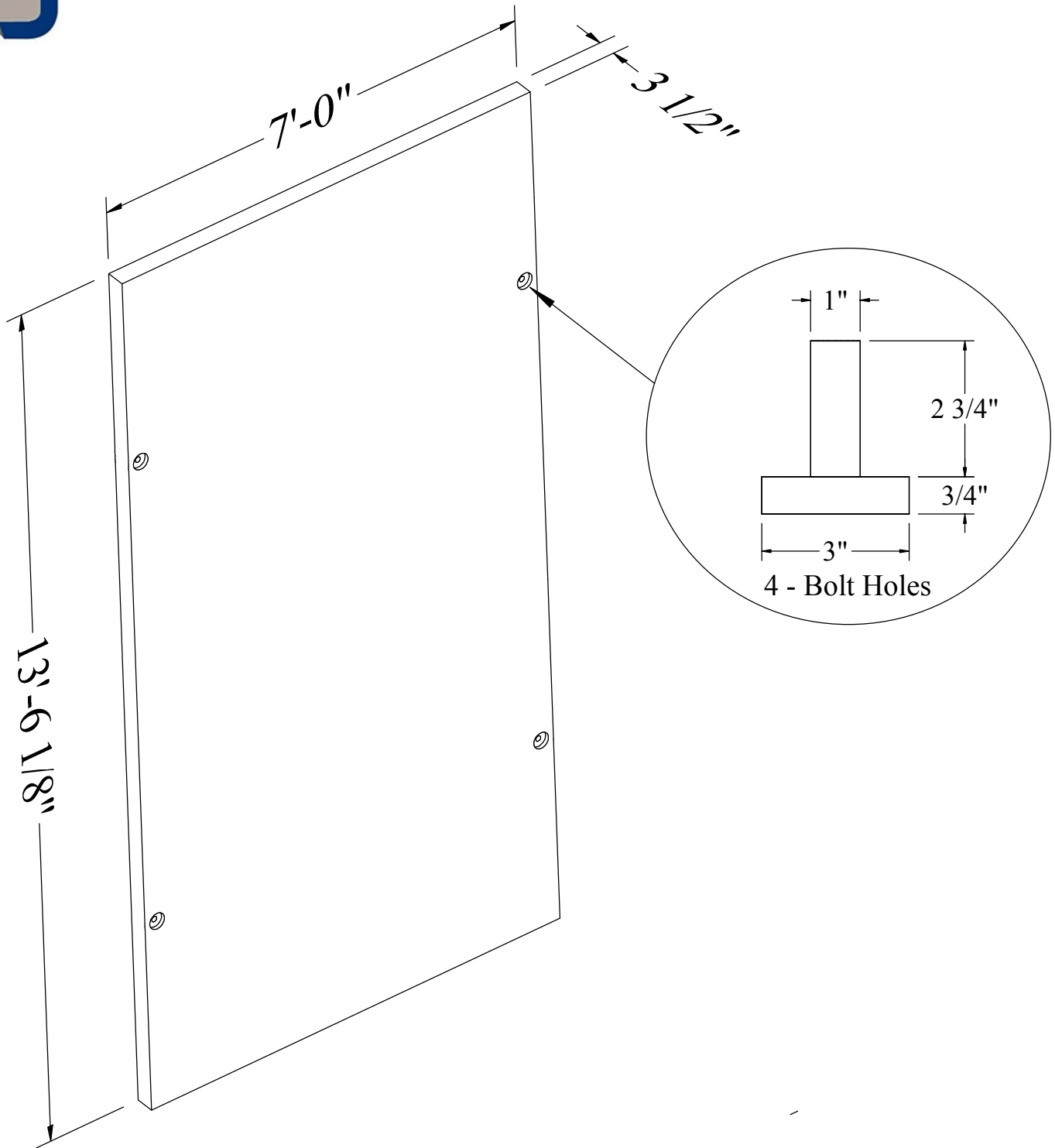
1. Concrete: Fc=5000 psi @ 28 days
2. Rebar: ASTM A-615 Grade 60

WEIGHT: 8,400 Lbs.

DRAWN BY: RDH

DATE: 4-26-13

MODEL: LWW16



**BODE'S PRECAST, INC.**  
1861 East Pole Rd.  
Everson, Wa. 98247  
(360) 354-3912

### 16' L-Wall Panel

SPECIFICATIONS

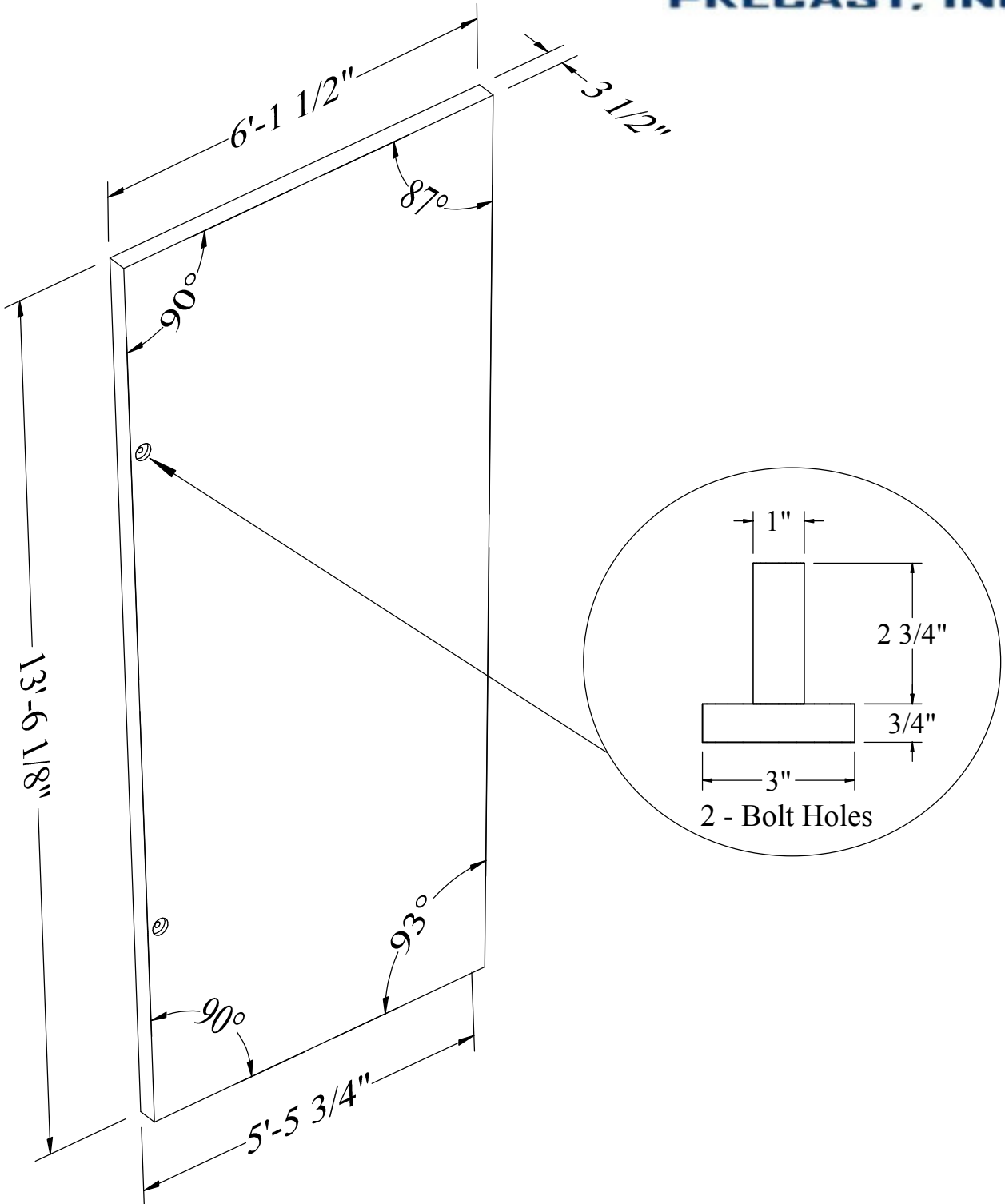
1. Concrete: Fc=5000 psi @ 28 days
2. Rebar: ASTM A-615 Grade 60

WEIGHT: 4140 Lbs.

DRAWN BY: RDH

DATE: 4-26-13

MODEL: LWP16



**BODE'S PRECAST, INC.**  
1861 East Pole Rd.  
Everson, Wa. 98247  
(360) 354-3912

### 16' L-Wall Wedge Panel

SPECIFICATIONS

1. Concrete: Fc=5000 psi @ 28 days
2. Rebar: ASTM A-615 Grade 60

WEIGHT: 3400 Lbs.

DRAWN BY: RDH

DATE: 4-26-13

MODEL: LWWP16