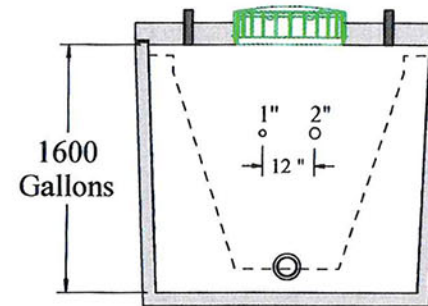
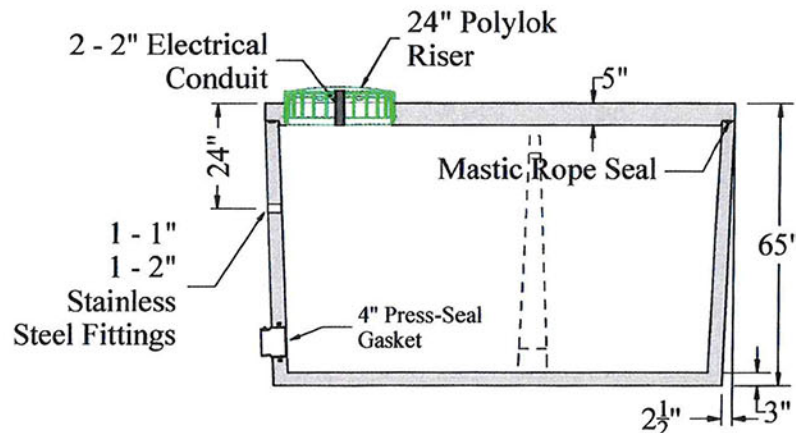


PLAN VIEW



END VIEW



SECTION VIEW

General Notes:

1. CONCRETE: 28 Day Strength = 5000 PSI
2. FIBER REINFORCED: Sika Stealth 5 lb/yd.
3. REBAR: ASTM A 615 Grade 60
4. MASTIC ROPE: ConSeal CS-665  
[www.conseal.com/PDF/CS-665\\_ProdSpec.pdf](http://www.conseal.com/PDF/CS-665_ProdSpec.pdf)
5. Sika WT240 P Waterproofing Admixture

Weight: 11,700 lbs.

**BODE'S PRECAST, INC.**  
1861 East Pole Rd.  
Everson, Wa. 98247  
(360) 354-3912

**1250 Gallon Water Storage Tank**

Flooded Capacity = 1600 Gallons

Model Number: WS1250

Date Issued: September 2010