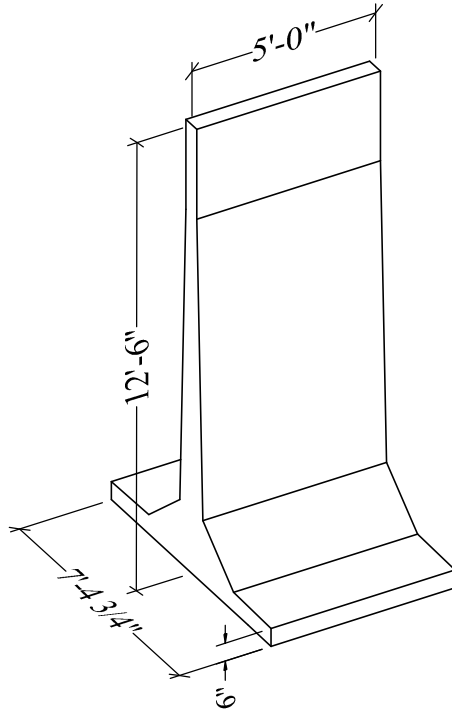
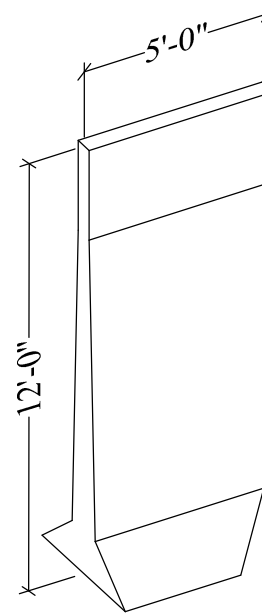


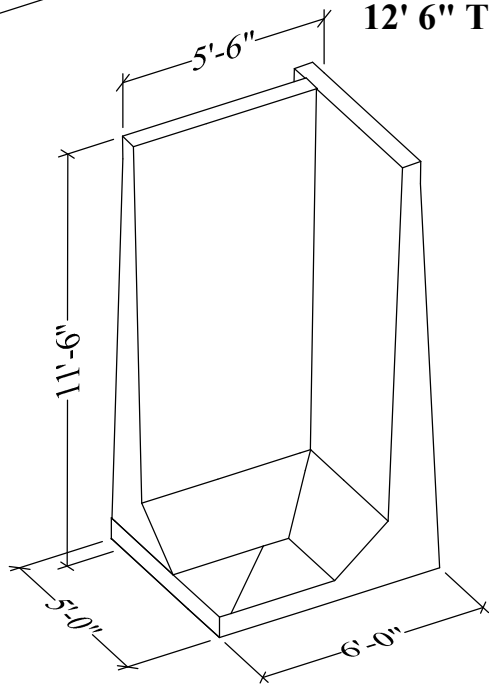
**11' 6" L-Wall**



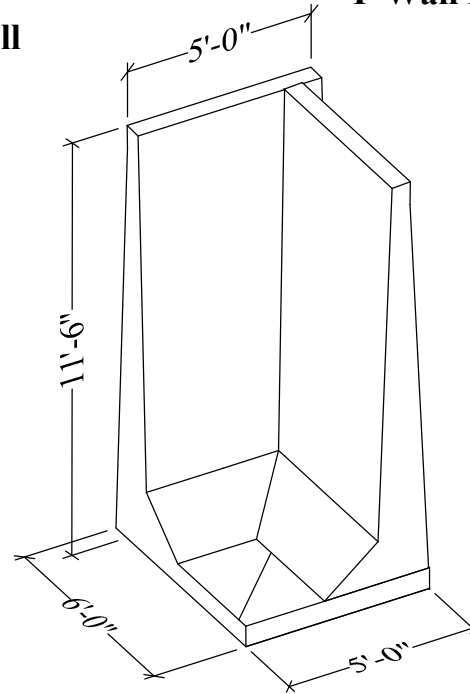
**12' 6" T-Wall**



**T-Wall Filler**



**Left Corner**



**Right Corner**

**BODE'S PRECAST, INC.**  
 1861 East Pole Rd., Everson, Wa. 98247  
 360-354-3912

**11' 6" L-Wall & 12' 6" T-Wall**

SCALE:  
 DRAWN BY: RDH  
 DATE:  
 FILE:

REV. NO.

DATE: