

BODE'S PRECAST, INC.
1861 East Pole Rd.
Everson, Wa. 98247
(360) 354-3912

11' L-Wall

SPECIFICATIONS

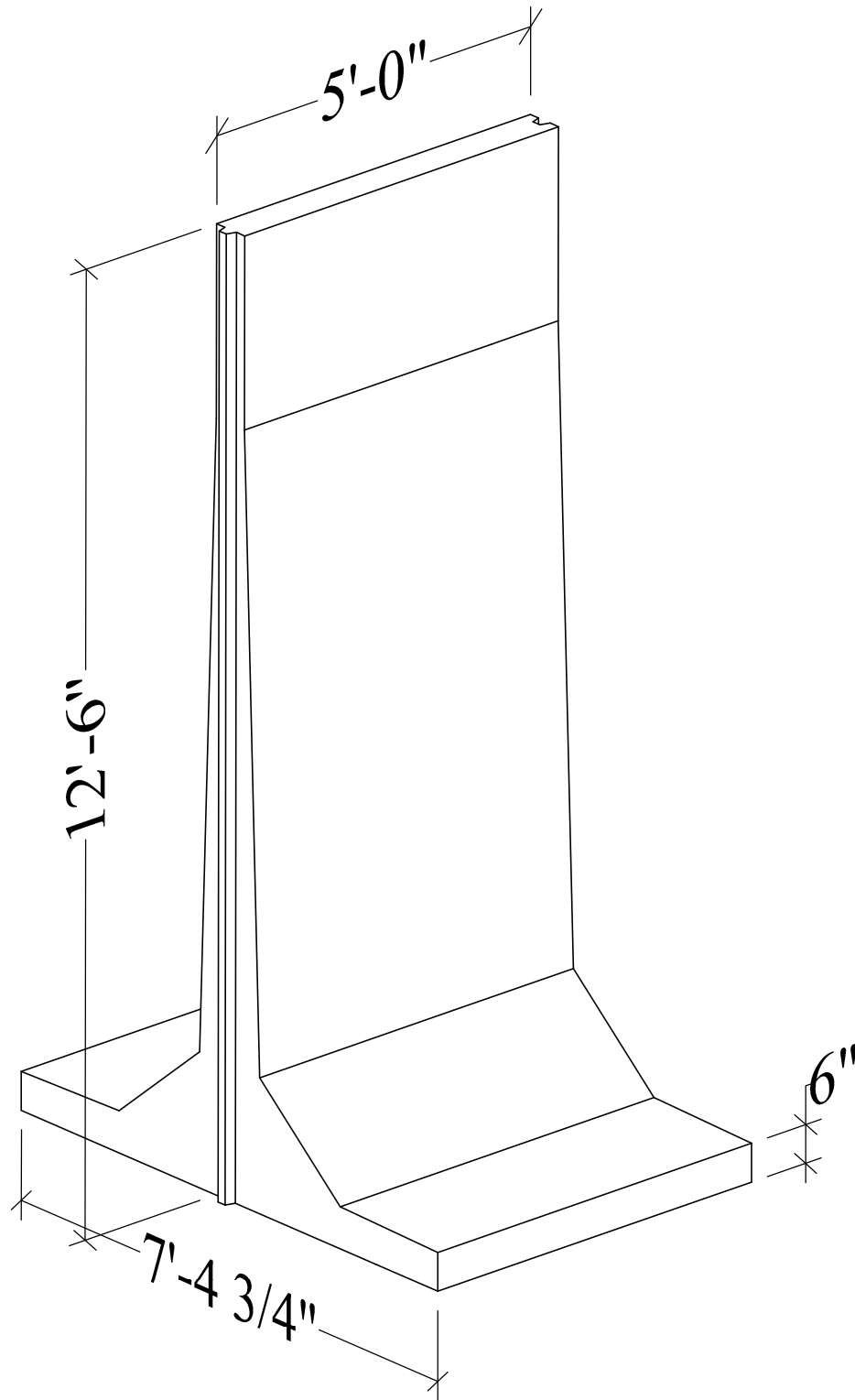
1. Concrete: Fc=5000 psi @ 28 days
2. Rebar: ASTM A-615 Grade 60

WEIGHT: 12,000 Lbs.

DRAWN BY: RDH

DATE: 4-26-13

MODEL: LW11



BODE'S PRECAST, INC.

1861 East Pole Rd.
Everson, Wa. 98247
(360) 354-3912

12' T-Wall

SPECIFICATIONS

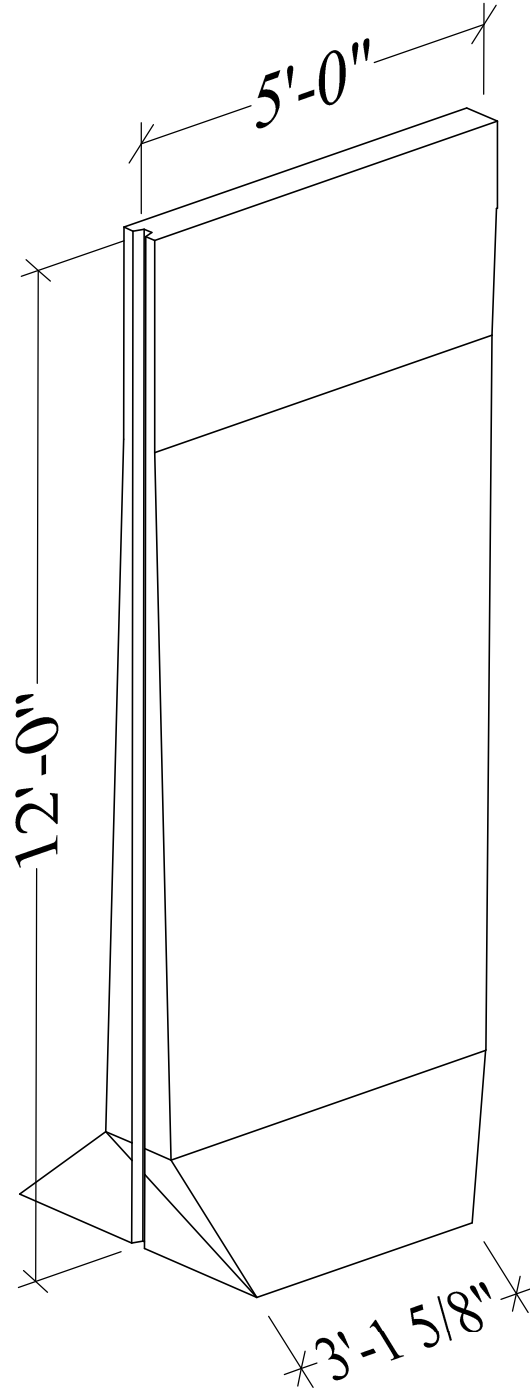
1. Concrete: Fc=5000 psi @ 28 days
2. Rebar: ASTM A-615 Grade 60

WEIGHT: 10,600 Lbs.

DRAWN BY: RDH

DATE: 4-26-13

MODEL: TW12



BODE'S PRECAST, INC.
1861 East Pole Rd.
Everson, Wa. 98247
(360) 354-3912

12' T on L Wedge

SPECIFICATIONS

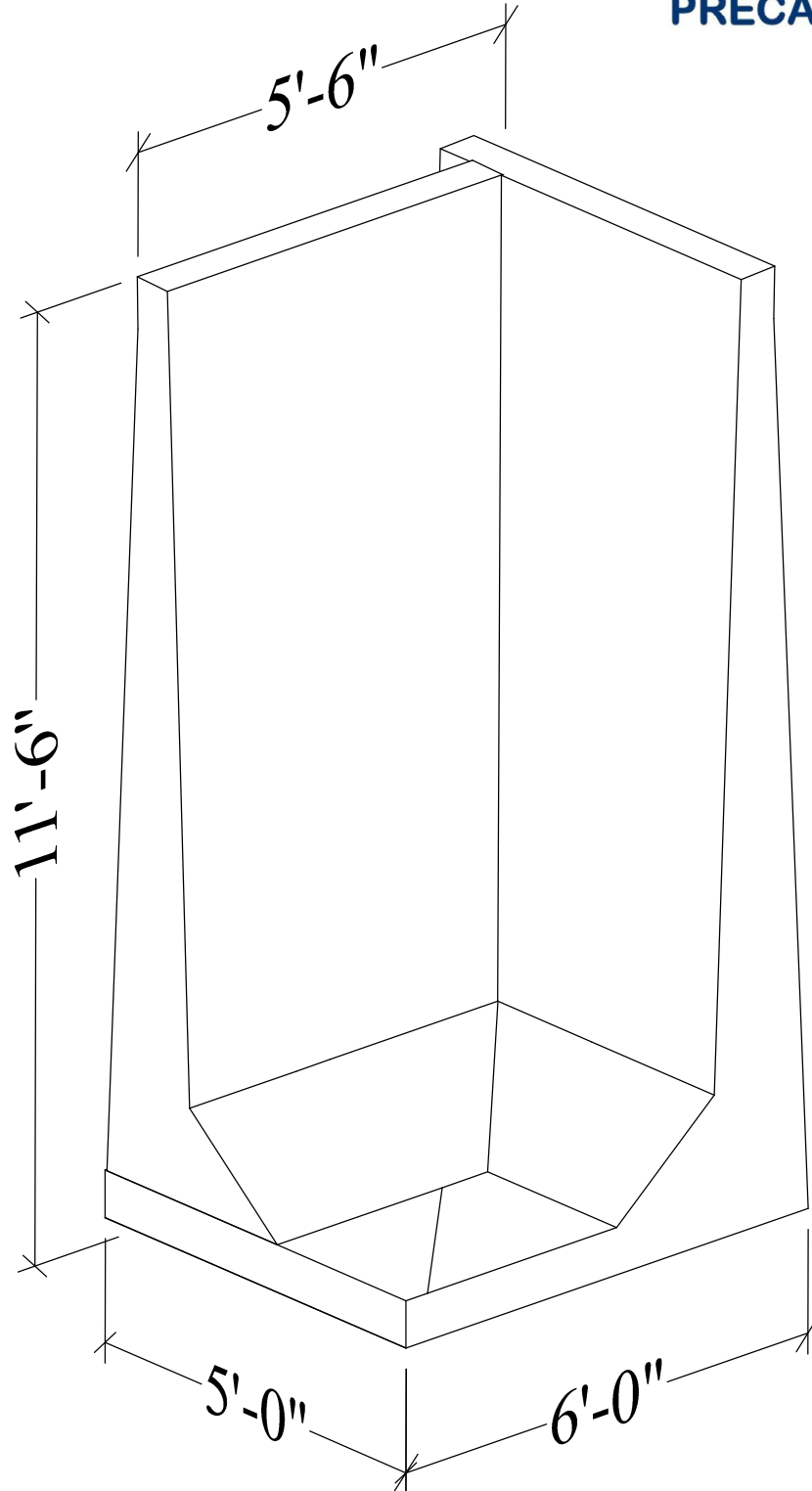
1. Concrete: Fc=5000 psi @ 28 days
2. Rebar: ASTM A-615 Grade 60

WEIGHT: 6,040 Lbs.

DRAWN BY: RDH

DATE: 4-26-13

MODEL: TWW12TL



BODE'S PRECAST, INC.
1861 East Pole Rd.
Everson, Wa. 98247
(360) 354-3912

11' L-Wall Corner - Left

SPECIFICATIONS

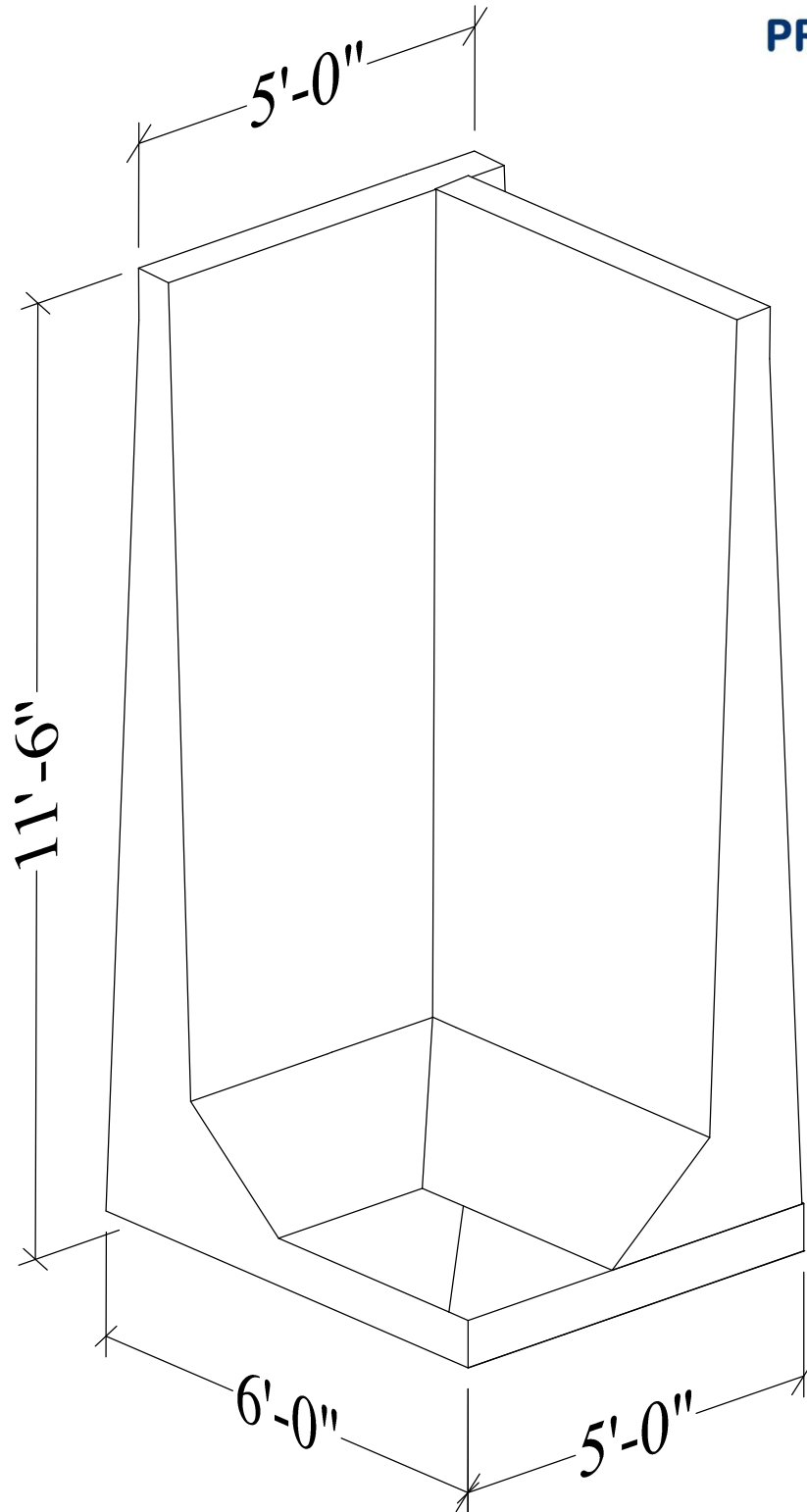
1. Concrete: Fc=5000 psi @ 28 days
2. Rebar: ASTM A-615 Grade 60

WEIGHT: 11,700 Lbs.

DRAWN BY: RDH

DATE: 4-26-13

MODEL: LWC11-L



BODE'S PRECAST, INC.
1861 East Pole Rd.
Everson, Wa. 98247
(360) 354-3912

11' L-Wall Corner - Right

SPECIFICATIONS

1. Concrete: Fc=5000 psi @ 28 days
2. Rebar: ASTM A-615 Grade 60

WEIGHT: 11,700 Lbs.

DRAWN BY: RDH

DATE: 4-26-13

MODEL: LWC11-R